

PAKISTAN STANDARD

Non-Ducted Air Conditioners and Heat Pumps – Testing and Rating for Performance



All Rights Reserved)

**PAKISTAN STANDARDS AND QUALITY CONTROL AUTHORITY,
STANDARDS DEVELOPMENT CENTRE,
PSQCA Complex Street 7 A Block -3
Scheme -36 Gullistan -e- Johar Karachi**

NON-DUCTED AIR CONDITIONERS AND HEAT PUMPS- TESTING AND

RATING FOR PERFORMANCE -

0. FOREWORD

- 0.1 This Pakistan Standard was adopted by the authority of the Board of Directors for Pakistan Standards and Quality Control Authority after approval by the Technical Committee for "Non-Ducted Air Conditioners and Heat Pumps Testing and Rating for Performance" had been approved and endorsed by the Electrotechnical National Standards Committee on _____
- 0.2 This Pakistan Standard was adopted on the basis of ISO: 5151(R) since IEC Standard have been established in 2010, hence it is deemed necessary to adopt the International standard to keep abreast with the latest technology and as par with ISO standard.
- 0.3 This Pakistan Standard is an adoption of ISO: 5151(R) "Non-Ducted Air Conditioners and Heat Pumps Testing and Rating for Performance" and its use hereby acknowledged with thanks.
- 0.4 The technical committee endorsed and recommended the proposal of Ministry of Climate Change and urged manufacturers to write "CFC or HCFC free" mark to the name plate marking.
- 0.5 Energy Labelling criteria referred in PS: 5294 "Minimum Energy Performance Standard (MEPS) For Window Type & Split Air Conditioners With Cooling Capacity under: 14000 W (12000 – 48000 BTU/hr).
- 0.6 This standard is subject to periodical review in order to keep pace with the development in industry. Any suggestions for improvement shall be recorded and placed before the revising committee in due course.
- 0.7 This standard is intended chiefly to cover the technical provisions relating to this standard and it does not include all the necessary provisions of a Contract.

Contents

Page

Foreword		vi
1	Scope	1
2	Normative references	1
3	Terms and definitions	2
4	Symbols	6
5	Cooling tests	8
5.1	Cooling capacity test	8
5.1.1	General conditions	8
5.1.2	Temperature conditions	8
5.1.3	Airflow conditions	9
5.1.4	Test conditions	10
5.2	Maximum cooling performance test	11
5.2.1	General conditions	11
5.2.2	Temperature conditions	11
5.2.3	Airflow conditions	11
5.2.4	Test conditions	11
5.2.5	Performance requirements	12
5.3	Minimum cooling, freeze-up air blockage and freeze-up drip performance tests	13
5.3.1	General conditions	13
5.3.2	Temperature conditions	13
5.3.3	Airflow conditions	13
5.3.4	Test conditions	13
5.3.5	Performance requirements	13
5.4	Freeze-up drip performance test	14
5.4.1	General conditions	14
5.4.2	Temperature conditions	14
5.4.3	Airflow conditions	14
5.4.4	Performance requirements	15
5.5	Condensate control and enclosure sweat performance test	15
5.5.1	General conditions	15
5.5.2	Temperature conditions	15
5.5.3	Airflow conditions	15
5.5.4	Test conditions	15
5.5.5	Performance requirements	15
6	Heating tests	16
6.1	Heating capacity tests	16
6.1.1	General conditions	16
6.1.2	Temperature conditions	17
6.1.3	Airflow conditions	17
6.1.4	Defrost operation	18
6.1.5	Test procedure — General	18
6.1.6	Preconditioning period	18
6.1.7	Equilibrium period	18
6.1.8	Data collection period	18
6.1.9	Test procedure when a defrost cycle (whether automatically or manually initiated) ends the preconditioning period	19
6.1.10	Test procedure when a defrost cycle does not end the preconditioning period	19
6.1.11	Test procedure for transient tests	20
6.1.12	Heating capacity test results	21
6.2	Maximum heating performance test	21
6.2.1	General conditions	21
6.2.2	Temperature conditions	21

6.2.3	Airflow conditions	22
6.2.4	Test conditions	22
6.3	Minimum heating performance test	22
6.3.1	General conditions	22
6.3.2	Temperature conditions	22
6.3.3	Airflow conditions	23
6.3.4	Test condition	23
6.3.5	Performance requirements	23
6.4	Automatic defrost performance test	23
6.4.1	General conditions	23
6.4.2	Temperature conditions	23
6.4.3	Airflow conditions	23
6.4.4	Test conditions	24
6.4.5	Performance requirements	24
7	Test methods and uncertainties of measurements	24
7.1	Test methods	24
7.1.1	General	24
7.1.2	Calorimeter test method	24
7.1.3	Indoor air enthalpy test method	24
7.1.4	Capacity tests	25
7.2	Uncertainties of measurement	25
7.3	Test tolerances for steady-state cooling and heating tests	26
7.4	Test tolerances for performance tests	27
8	Test results	27
8.1	Capacity results	27
8.1.1	General	27
8.1.2	Adjustments	27
8.1.3	Cooling capacity calculations	28
8.1.4	Heating capacity calculations	28
8.2	Data to be recorded	29
8.3	Test report	29
8.3.1	General information	29
8.3.2	Capacity tests	31
8.3.3	Performance tests	31
9	Marking provisions	32
9.1	Nameplate requirements	32
9.2	Nameplate information	32
9.3	Split systems	32
10	Publication of ratings	33
10.1	Standard ratings	33
10.2	Other ratings	33
Annex A (normative) Test requirements		34
Annex B (informative) Airflow measurement		36
Annex C (normative) Calorimeter test method		42
Annex D (normative) Indoor air enthalpy test method		50
Annex E (informative) Refrigerant enthalpy test method		56
Annex F (informative) Outdoor air enthalpy test method		58
Annex G (informative) Indoor calorimeter confirmative test method		61
Annex H (informative) Outdoor calorimeter confirmative test method		63
Annex I (informative) Balanced-type calorimeter confirmative test method		65
Annex J (informative) Cooling condensate measurements		66

Non-ducted air conditioners and heat pumps — Testing and rating for performance

1 Scope

This document specifies performance testing, the standard conditions and the test **methods** for determining the capacity and efficiency ratings of air-cooled air conditioners and air-to-air **heat pumps**.

This document is applicable to the following equipment:

- non-ducted air-cooled air conditioners and non-ducted air-to-air **heat pumps; or**
- ducted air conditioners and/or ducted heat pumps rated at less than 8 kW **and** intended to operate at an external static pressure of less than 25 Pa.

This document is limited to:

- residential, commercial and industrial single-package **and split-system** air conditioners and heat pumps;
- factory-made, electrically driven and use mechanical **compression**;
- utilizing single, multiple and variable capacity **components**;
- multiple split-system utilizing one or more **refrigeration systems**, one outdoor unit and one or more indoor units, controlled by a single **thermostat/controller**.

The requirements of testing and rating **contained** in this document are based on the use of matched assemblies.

This document is not applicable to **the rating and testing** of the following:

- a) water-source heat pumps **or water cooled air** conditioners;
- b) multi-split-system **air conditioners** and air-to-air heat pumps (follow ISO 15042 for the testing of such equipment);
- c) mobile (**windowless**) units **having** a condenser exhaust duct;
- d) **individual assemblies not** constituting a complete refrigeration system;
- e) equipment using **the absorption** refrigeration cycle;
- f) **ducted equipment** except for those specified in this clause (follow ISO 13253 for the testing of such equipment).

This document does not cover the determination of seasonal efficiencies, which can be required in some **countries** because they provide a better indication of efficiency under actual operating conditions.

NOTE Throughout this document, the terms "equipment" and "systems" mean "air conditioners" and/or "heat pumps".

2 Normative references

The following documents are referred to in the text in such a way that some or all of their content constitutes requirements of this document. For dated references, only the edition cited applies. For undated references, the latest edition of the referenced document (including any amendments) applies.

ISO 817, *Refrigerants — Designation and safety classification*

ISO/IEC Guide 98-3, *Uncertainty of measurement — Part 3: Guide to the expression of uncertainty in measurement (GUM:1995)*

3 Terms and definitions

For the purposes of this document, the following terms and definitions apply.

ISO and IEC maintain terminological databases for use in standardization at the following addresses:

- IEC Electropedia: available at <http://www.electropedia.org/>
- ISO Online browsing platform: available at <http://www.iso.org/obp>

3.1
non-ducted air conditioner
encased assembly or assemblies, designed primarily to provide free delivery of **conditioned air** to an enclosed space, room or zone

Note 1 to entry: It can be either single-package or split-system and comprises a **primary** source of **refrigeration** for cooling and dehumidification. It can also include means for heating other than a heat pump, as well as means for circulating, cleaning, humidifying, ventilating or exhausting air. Such **equipment** can be provided in more than one assembly, the separated assemblies (split-systems) of which are **intended to be used** together.

Note 2 to entry: An enclosed space, room or zone is known as a **conditioned** space.

3.2
non-ducted heat pump
encased assembly or assemblies designed primarily to **provide free delivery** of conditioned air to an enclosed space, room or zone and includes a **prime source** of refrigeration for heating

Note 1 to entry: It can be constructed to remove **heat** from the conditioned space and discharge it to a heat sink if cooling and dehumidification are desired from **the same equipment**. It can also include means for circulating, cleaning, humidifying, ventilating or exhausting **air**. Such **equipment** can be provided in more than one assembly; the separated assemblies (split-systems) of **which** are **intended to be used** together.

Note 2 to entry: An enclosed space, **room or zone** is **known as** a conditioned space.

3.3
standard air
dry air at 20 °C and at a **standard barometric** pressure of 101,325 kPa, having a mass density of 1,204 kg/m³

3.4
indoor discharge airflow
rate of flow of air from the **outlet** of the equipment into the conditioned space

Note 1 to entry: See [Figure 1](#).

3.5
indoor intake airflow
rate of flow of air into the equipment from the conditioned space

Note 1 to entry: See [Figure 1](#).

3.6
ventilation airflow
rate of flow of air introduced to the conditioned space through the equipment

Note 1 to entry: See [Figure 1](#).

3.7**outdoor discharge airflow**

discharge rate of flow of air from the equipment

Note 1 to entry: See [Figure 1](#).

3.8**intake outdoor airflow**

rate of flow of air into the equipment from the outdoor-side

Note 1 to entry: See [Figure 1](#).

3.9**exhaust airflow**

rate of flow of air from the indoor-side through the equipment to the outdoor-side

Note 1 to entry: See [Figure 1](#).

3.10**leakage airflow**

rate of flow of air interchanged between the indoor-side and outdoor-side through the equipment as a result of its construction features and sealing techniques

Note 1 to entry: See [Figure 1](#).

Note 2 to entry: This is not applicable for split system products.

3.11**bypassed indoor airflow**

rate of flow of conditioned air directly from the indoor-side outlet to the indoor-side inlet of the equipment

Note 1 to entry: See [Figure 1](#).

3.12**bypassed outdoor airflow**

rate of flow of air directly from the outdoor-side outlet to the outdoor-side inlet of the equipment

Note 1 to entry: See [Figure 1](#).

3.13**equalizer opening airflow**

rate of flow of air through the equalizer opening in the partition wall of a calorimeter

Note 1 to entry: See [Figure 1](#).

3.14**total cooling capacity**

amount of sensible and latent heat that the equipment can remove from the conditioned space in a defined interval of time

Note 1 to entry: Total cooling capacity is expressed in units of watts.

3.15**heating capacity**

amount of heat that the equipment can add to the conditioned space (but not including supplementary heat) in a defined interval of time

Note 1 to entry: Heating capacity is expressed in units of watts.

3.16**latent cooling capacity**
room dehumidifying capacity

amount of latent heat that the equipment can remove from the conditioned space in a defined interval of time

Note 1 to entry: Latent cooling capacity and room dehumidifying capacity are expressed in units of watts.

3.17**sensible cooling capacity**

amount of sensible heat that the equipment can remove from the conditioned space in a defined interval of time

Note 1 to entry: Sensible cooling capacity is expressed in units of watts.

3.18**sensible heat ratio****SHR**

ratio of the sensible cooling capacity to the total cooling capacity

3.19**rated voltage**

voltage shown on the nameplate of the equipment

3.20**rated frequency**

frequency shown on the nameplate of the equipment

3.21**energy efficiency ratio****EER**

ratio of the total cooling capacity to the effective power input to the device at any given set of rating conditions

Note 1 to entry: Where the EER is stated without an indication of units, it is understood that it is derived from watts/watt.

3.22**coefficient of performance****COP**

ratio of the heating capacity to the effective power input to the device at any given set of rating conditions

Note 1 to entry: Where the COP is stated without an indication of units, it is understood that it is derived from watts/watt.

3.23**total power input** P_t

average electrical power input to the equipment as measured during the test

Note 1 to entry: Total power input is expressed in units of watts.

3.24**effective power input** P_E

average electrical power input to the equipment obtained from

- the power input from the compressor(s),
- the power input to electric heating devices used only for defrosting,

- the power input to all control and safety devices of the equipment, and
- the power input for operation of all fans

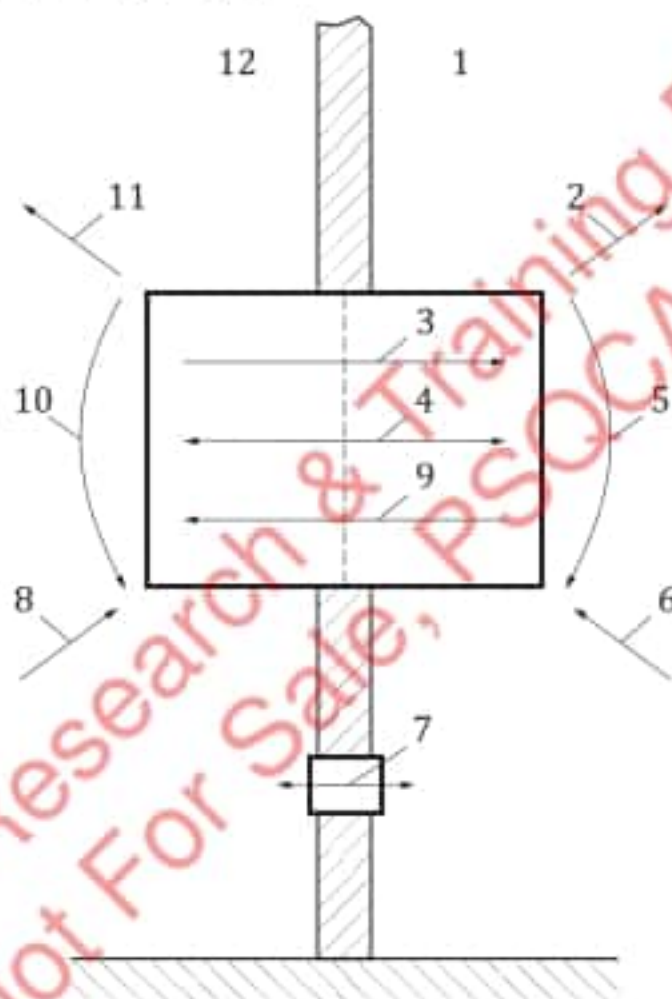
Note 1 to entry: Effective power input is expressed in units of watts.

3.25

full-load operation

operation with the equipment and controls configured for the maximum continuous duty refrigeration capacity specified by the manufacturer and allowed by the unit controls

Note 1 to entry: Unless otherwise regulated by the automatic controls of the equipment, all indoor units and compressors operate during full-load operations.



Key

1	outdoor-side	7	equalizer opening
2	outdoor discharge	8	indoor intake
3	exhaust	9	ventilation
4	leakage	10	bypassed indoor
5	bypassed outdoor	11	indoor discharge
6	outdoor intake	12	indoor-side

NOTE Airflow diagram illustrating the definitions given in 3.4 to 3.13

Figure 1 — Airflow diagram

4 Symbols

Symbol	Description	Unit
A_l	coefficient, heat leakage	$1/(s \cdot K)$
A_n	area, nozzle	m^2
C_d	nozzle discharge coefficient	a
c_{pa1}	specific heat of moist air entering indoor-side ^b	$1/(kg^b \cdot K)$
c_{pa2}	specific heat of moist air leaving indoor-side ^b	$1/(kg^b \cdot K)$
c_{pa3}	specific heat of moist air entering outdoor-side ^b	$1/(kg^b \cdot K)$
c_{pa4}	specific heat of moist air leaving outdoor-side ^b	$1/(kg^b \cdot K)$
c_{pw}	specific heat of water	$1/(kg^b \cdot K)$
D_n	nozzle throat diameter	m
D_t	outside diameter of refrigerant tube	m
h_{a1}	specific enthalpy of air entering indoor-side	$1/kg^b$
h_{a2}	specific enthalpy of air leaving indoor-side	$1/kg^b$
h_{a3}	specific enthalpy of air entering outdoor-side	$1/kg^b$
h_{a4}	specific enthalpy of air leaving outdoor-side	$1/kg^b$
h_{f1}	specific enthalpy of refrigerant liquid entering expansion device	$1/kg$
h_{f2}	specific enthalpy of refrigerant liquid leaving condenser	$1/kg$
h_{g1}	specific enthalpy of refrigerant vapour entering compressor	$1/kg$
h_{g2}	specific enthalpy of refrigerant vapour leaving compressor	$1/kg$
h_{r1}	specific enthalpy of refrigerant entering indoor-side	$1/kg$
h_{r2}	specific enthalpy of refrigerant leaving indoor-side	$1/kg$
h_{w1}	specific enthalpy of water or steam supplied to indoor side test chamber	$1/kg$
h_{w2}	specific enthalpy of condensed moisture leaving indoor side test chamber	$1/kg$
h_{w3}	specific enthalpy of condensed moisture leaving outdoor-side test chamber	$1/kg$
h_{w4}	specific enthalpy of the water supplied to the outdoor side test chamber	$1/kg$
h_{w5}	specific enthalpy of the condensed water (in the case of H1 test condition) and the frost, respectively (in the case of H2 or H3 test conditions) in the test unit	$1/kg$
K_1	latent heat of vaporization of water ($2\,460 \times 10^3$ J/kg at 15 °C)	$1/kg$
L	length of refrigerant line	m
p_a	barometric pressure	kPa
p_c	test chamber equalization pressure	Pa
p_n	absolute pressure at nozzle throat	Pa
p_v	velocity pressure at nozzle throat or static pressure difference across nozzle	Pa
P_i	power input, indoor-side data	W
P_K	power input to compressor	W
P_t	total power input to equipment	W
q_m	air mass flow rate	kg/s
\dot{q}_r	refrigerant flow rate	kg/s
q_{ro}	refrigerant and oil mixture flow rate	kg/s
q_v	air volume flow rate	m^3/s
q_{vi}	air volume flow rate, indoor-side	m^3/s

^a Dimensionless value.

^b It means the mass of dry air; the mass, kg, of denominator in this unit is based on dry air (or DA). For units practically used in the air conditioning field, "kg (DA)" is very often used for denominator. Example: $1/kg(DA)$, $m^3/kg(DA)$, $kg/kg(DA)$

NOTE All parameters are in relation to the unit being tested unless specified otherwise.

Symbol	Description	Unit
q_{vu}	air volume flow rate, outdoor-side	m ³ /s
q_w	condenser water flow rate	kg/s
q_{wc}	rate at which water vapour is condensed by the equipment	kg/s
q_{wa}	water mass flow supplied to the outside test chamber for maintaining the test conditions	kg/s
Re	Reynolds number	a
T	thickness of tubing insulation	m
t_a	temperature, ambient of compressor calorimeter	°C
t_{a1}	temperature of air entering indoor-side, dry bulb	°C
t_{a2}	temperature of air leaving indoor-side, dry bulb	°C
t_{a3}	temperature of air entering outdoor-side, dry bulb	°C
t_{a4}	temperature of air leaving outdoor-side, dry bulb	°C
t_c	temperature of surface of condenser of the compressor calorimeter	°C
t_e	temperature of surface of evaporator of the compressor calorimeter	°C
t_{w1}	temperature of water entering condenser of the compressor calorimeter	°C
t_{w2}	temperature of water leaving condenser of the compressor calorimeter	°C
v_a	velocity of air, at nozzle	m/s
v_n	specific volume of dry air portion of mixture at nozzle ^b	m ³ /kg ^b
v'_n	specific volume of air-water vapour mixture at nozzle	m ³ /kg
W_1	mass of cylinder and bleeder assembly, empty	g
W_2	mass of cylinder and bleeder assembly, with sample	g
W_5	mass of cylinder and bleeder assembly, with oil from sample	g
W_{i1}	specific humidity of air entering indoor-side ^b	kg/kg ^b
W_{i2}	specific humidity of air leaving indoor-side ^b	kg/kg ^b
W_n	specific humidity at nozzle inlet ^b	kg/kg ^b
W_r	water vapour (rate) condensed	kg/s
X_o	concentration of oil to refrigerant-oil mixture	a
X_r	mass ratio, refrigerant to refrigerant-oil mixture	a
γ	expansion factor	a
α_a	interconnecting tubing heat transfer coefficient	W/(m ² ·K)
λ	thermal conductivity	W/(m·K)
ν	kinematic viscosity of air	m ² /s
$\sum P_{ic}$	other power input to the indoor-side test chamber (e.g. illumination, electrical and thermal power input to the compensating device, heat balance of the humidification device)	W
$\sum P_{oc}$	sum of all total power input to the outdoor-side test chamber, not including power to the equipment under test	W
ϕ_c	heat removed by cooling coil in the outdoor-side test chamber	W
ϕ_{ci}	heat removed by cooling coil in the indoor side test chamber	W
ϕ_d	latent cooling capacity (dehumidifying)	W
ϕ_e	heat input to evaporator of compressor calorimeter	W
ϕ_{hi}	heating capacity, indoor-side test chamber	W

^a Dimensionless value.

^b It means the mass of dry air; the mass, kg, of denominator in this unit is based on dry air (or DA). For units practically used in the air conditioning field, "kg (DA)" is very often used for denominator. Example: l/kg (DA), m³/kg (DA), kg/kg (DA)

NOTE All parameters are in relation to the unit being tested unless specified otherwise.

Symbol	Description	Unit
ϕ_{ho}	heating capacity, outdoor-side test chamber	W
ϕ_{li}	heat leakage into indoor side test chamber through walls, floor and ceiling	W
ϕ_{lo}	heat leakage out of outdoor side test chamber through walls, floor and ceiling	W
ϕ_{lp}	heat leakage into indoor-side test chamber through partition separating indoor-side from outdoor-side	W
ϕ_L	line heat loss in interconnecting tubing	W
ϕ_{sci}	sensible cooling capacity, indoor side	W
ϕ_{tc}	refrigerating capacity of a refrigerant compressor	W
ϕ_{tci}	total cooling capacity, indoor-side	W
ϕ_{tco}	total cooling capacity, outdoor-side	W
ϕ_{thi}	total heating capacity, indoor-side	W
ϕ_{tho}	total heating capacity, outdoor-side	W

^a Dimensionless value.

^b It means the mass of dry air; the mass, kg, of denominator in this unit is based on dry air (or DA). For units practically used in the air conditioning field, "kg (DA)" is very often used for denominator. Example: l/kg (DA), m³/kg (DA), kg/kg (DA)

NOTE All parameters are in relation to the unit being tested unless specified otherwise.

5 Cooling tests

5.1 Cooling capacity test

5.1.1 General conditions

5.1.1.1 All equipment within the scope of this document shall have the cooling capacities and energy efficiency ratios determined in accordance with the provisions of this document and rated at the cooling test conditions specified in Table 1. All tests shall be carried out in accordance with the requirements of Annex A and the test methods specified in Clause 7. All tests shall be conducted with the equipment functioning at full-load operation, as defined in 3.25. The electrical input values used for rating purposes shall be measured during the cooling capacity test.

5.1.1.2 If the manufacturer of equipment having a variable-speed compressor does not provide information on the full-load frequency and how to achieve it during a cooling capacity test, the equipment shall be operated with its thermostat or controller set to its minimum allowable temperature setting.

5.1.2 Temperature conditions

5.1.2.1 The temperature conditions stated in Table 1 (columns T1, T2 and T3) shall be considered standard rating conditions for the determination of cooling capacity. For equipment intended for space cooling, testing shall be conducted at one or more of the standard rating conditions specified in Table 1.

5.1.2.2 Equipment manufactured only for use in a moderate climate similar to that specified in Table 1, column T1, shall have ratings determined by tests conducted at T1 conditions and shall be designated as type T1 equipment.

5.1.2.3 Equipment manufactured only for use in a cool climate similar to that specified in Table 1, column T2, shall have ratings determined by tests conducted at T2 conditions and shall be designated as type T2 equipment.

5.1.2.4 Equipment manufactured only for use in a hot climate similar to that specified in [Table 1](#), column T3, shall have ratings determined by tests conducted at T3 conditions and shall be designated as type T3 equipment.

5.1.2.5 Equipment manufactured for use in more than one of the climates defined in [Table 1](#) shall have marked on the nameplate the designated type (T1, T2 and/or T3). The corresponding ratings shall be determined by the standard rating conditions specified in [Table 1](#).

5.1.3 Airflow conditions

5.1.3.1 Indoor-side air quantity — Air enthalpy test method

5.1.3.1.1 Tests shall be conducted at standard rating conditions (see [Table 1](#)) with 0 Pa static pressure maintained at the air discharge of the equipment and with the refrigeration means in operation. All air quantities shall be expressed as cubic metre per second (m³/s) of standard air, as defined in [3.3](#).

When the fan speed is adjustable, the difference of the mass airflow rate from the standard air due to low barometric pressure should be adjusted by the fan speed.

5.1.3.1.2 Airflow measurements should be made in accordance with the provisions specified in [Annex B](#), as appropriate, as well as the provisions established in other appropriate annexes of this document.

NOTE Additional guidance for making airflow measurements can be found in ISO 3966 and ISO 5167-1.

Table 1 — Cooling capacity rating conditions

Parameter	Standard rating conditions		
	T1	T2	T3
Temperature of air entering indoor-side:			
— dry-bulb	27 °C	21 °C	29 °C
— wet-bulb	19 °C	15 °C	19 °C
Temperature of air entering outdoor-side:			
— dry-bulb	35 °C	27 °C	46 °C
— wet-bulb ^a	24 °C	19 °C	24 °C
Test frequency ^b	Rated frequency		
Test voltage	See Table 2		

NOTE

T1 Standard cooling capacity rating conditions for moderate climates.

T2 Standard cooling capacity rating conditions for cool climates.

T3 Standard cooling capacity rating conditions for hot climates.

^a The wet-bulb temperature condition shall only be required when testing air-cooled condensers which evaporate the condensate.

^b Equipment with dual-rated frequencies shall be tested at each frequency.

Table 2 — Voltages for capacity and performance tests

Rated (nameplate) voltage ^a V	Test voltage ^b V
90 to 109	100
110 to 127	115
180 to 207	200
208 to 253	230
254 to 341	265
342 to 420	400
421 to 506	460
507 to 633	575

^a For equipment with dual-rated voltages, such as 115/230 and 220/440, the test voltages would be 115 V and 230 V in the first example, and 230 V and 460 V in the second example. For equipment with an extended voltage range, such as 110 V to 120 V or 220 V to 240 V, the test voltage would be 115 V or 230 V, respectively. Where the extended voltage range spans two or more of the rated voltage ranges, the mean of the rated voltages shall be used to determine the test voltage from this table.

EXAMPLE For equipment with an extended voltage range of 200 V to 220 V, the test voltage would be 230 V, based on the mean voltage of 210 V.

^b The voltages in this table are for capacity and performance tests other than the maximum cooling and the maximum heating performance tests.

5.1.3.2 Outdoor-side air quantity

If the outdoor airflow is adjustable, all tests shall be conducted at the outdoor-side air quantity or at the fan control setting that is specified by the manufacturer. Where the fan is non-adjustable, all tests shall be conducted at the outdoor-side air volume flow rate inherent in the equipment when operated with the following in place: all of the resistance elements associated with inlets, louvers and any ductwork and attachments considered by the manufacturer as normal installation practice. Once established, the outdoor-side air circuit of the equipment shall remain unchanged throughout all tests prescribed in this document, except to adjust for any change caused by the attachment of the airflow measuring device when using the outdoor air enthalpy test method (see F.2.1).

5.1.4 Test conditions

5.1.4.1 Preconditions

5.1.4.1.1 Tests shall be conducted under the selected conditions with no changes made in fan speed or system resistance to correct for variations from the standard barometric pressure (see 3.3).

5.1.4.1.2 Grille positions, damper positions, fan speeds, etc. shall be set in accordance with the manufacturer's instructions. In the absence of manufacturer's instructions, the grilles, dampers, fan speeds, etc. shall be set to provide maximum cooling capacity. When tests are carried out at other settings, these settings shall be noted together with the cooling capacity ratings.

5.1.4.1.3 The test room reconditioning apparatus and the equipment under test shall be operated until equilibrium conditions, as required by 7.3, are attained. Equilibrium conditions shall be maintained for not less than 1 h before capacity test data are recorded.

5.1.4.2 Testing requirements

The test shall provide for the determination of the sensible, latent and total cooling capacities as determined in the indoor-side test chamber.

5.1.4.3 Duration of test

The data shall be recorded at equal intervals as required by 7.3.3. The recording of the data shall continue for at least a 30-min period during which the tolerances specified in 7.3 shall be met.

5.2 Maximum cooling performance test

5.2.1 General conditions

The test shall be conducted with the equipment functioning at full-load operation, as defined in 3.25. The test voltages in Table 3 shall be maintained at the specified percentages under running conditions. In addition, the test voltage shall be adjusted so that it is not less than 86 % of the rated voltage at the moment of restarting the equipment after the shutdown required by 5.2.4.2. The determination of cooling capacity and electrical power input is not required for this performance test.

5.2.2 Temperature conditions

The conditions, which shall be used during the maximum cooling, are given in Table 3.

Table 3 — Maximum cooling performance test conditions

Parameter	Standard rating conditions		
	T1	T2	T3
Temperature of air entering indoor-side:			
— dry-bulb	32 °C	27 °C	32 °C
— wet-bulb	23 °C	19 °C	23 °C
Temperature of air entering outdoor-side:			
— dry-bulb	43 °C	35 °C	52 °C
— wet-bulb ^a	26 °C	24 °C	31 °C
Test frequency ^b	Rated frequency		
Test voltage	a) 90 % and 110 % of rated voltage with a single nameplate rating; b) 90 % of the lower rated voltage and 110 % of the higher rated voltage for units with a dual or extended nameplate voltage.		
^a The wet-bulb temperature condition shall only be required when testing air-cooled condensers that evaporate the condensate.			
^b Equipment with dual-rated frequencies shall be tested at each frequency.			

5.2.3 Airflow conditions

The maximum cooling performance test shall be conducted with an indoor-side fan speed setting as determined under 5.1.4.1.2.

5.2.4 Test conditions

5.2.4.1 Preconditions

The controls of the equipment shall be set for maximum cooling and, if provided, all ventilating air dampers and exhaust air dampers shall be closed.

5.2.4.2 Duration of test

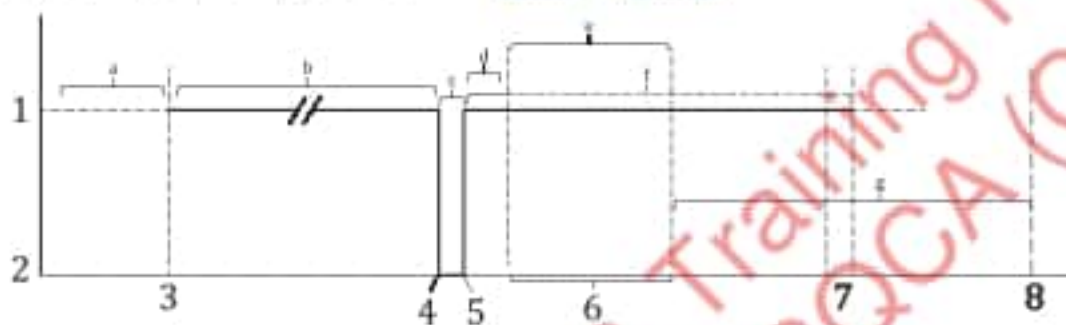
The equipment shall be operated continuously for 1 h after the specified air temperatures in Table 3 have been established in accordance with the tolerances in Table 12. Thereafter, all power to the

equipment shall be cut off for 3 min and then restored. The operation of the equipment may be restarted either automatically or through the use of a remote controller or similar device. The test shall continue for 60 min after the equipment restarts.

5.2.5 Performance requirements

5.2.5.1 Air conditioners and heat pumps shall meet the following requirements when operating at the conditions specified in [Table 3](#):

- during one entire test, the equipment shall operate without any indication of damage;
- the motors of the equipment shall operate continuously for the first hour of the test without tripping any protective device;
- after the interruption of power, the equipment shall resume operation within 30 min and run continuously for 1 h, except as specified in [5.2.5.2](#) and [5.2.5.3](#).



Key

- power supply to equipment unit on
- power supply to equipment off
- official test period begins
- power supply to equipment turned off
- power supply to equipment turned back on
- maximum time before equipment resumes continuous operation
- end of test, if equipment restarted upon re-energization of power
- end of test, if equipment utilized full 30 min for protective device to reset
- 30 min, steady-state operation.
- 60 min, continuous operation running at reduced or increased supply voltage.
- 3 min, power off.
- 5 min, in which a protective device may trip.
- 30 min.
- 60 min of continuous operation after equipment restarts.

Figure 2 — Maximum performance test operation

5.2.5.2 A protective device may trip only during the first 5 min of operation after the shutdown period of 3 min. During the remainder of that 1 h test period, no protective device shall trip.

5.2.5.3 For those models so designed that resumption of operation does not occur after the initial trip within the first 5 min, the equipment may remain out of operation for not longer than 30 min. It shall then operate continuously for 1 h.

5.3 Minimum cooling, freeze-up air blockage and freeze-up drip performance tests

5.3.1 General conditions

The test conditions specified in [Table 4](#) shall be used when conducting the minimum cooling, freeze-up air blockage and freeze-up drip performance tests. The tests shall be conducted with the equipment functioning at full-load operation, as defined in [3.25](#), except as required in [5.3.3](#). The determination of cooling capacity and electrical power input is not required for these performance tests.

5.3.2 Temperature conditions

Tests shall be carried out under the temperature conditions established in [Table 4](#).

5.3.3 Airflow conditions

The controls, fan speeds, dampers and grilles of the equipment shall be set to maximize the tendency to produce frost or ice on the evaporator, provided such settings are not contrary to the manufacturer's operating instructions.

5.3.4 Test conditions

5.3.4.1 Preconditions

The equipment shall be started and operated until the operating conditions have stabilized.

5.3.4.2 Duration of test

After the operating conditions given in [Table 4](#) have stabilized in accordance with the tolerances in [Table 12](#), the equipment shall be operated for a period of 4 h. The equipment shall be permitted to stop and start under the control of an automatic limit device, if provided.

Table 4 — Minimum cooling, freeze-up air blockage and freeze-up drip performance test conditions

Parameter	Standard test conditions	
	T1 and T3	T2
Temperature of air entering indoor-side:		
— dry-bulb	21 °C	21 °C
— wet-bulb	15 °C	15 °C
Temperature of air entering outdoor-side:		
— dry-bulb	21 °C	10 °C
— wet-bulb	—	—
Test frequency ^a	Rated frequency	
Test voltage	See Table 2	

^a Equipment with dual-rated frequencies shall be tested at each frequency.

5.3.5 Performance requirements

5.3.5.1 The equipment shall operate under the conditions specified without any indication of damage.

5.3.5.2 At the end of the 4-h test, any accumulation of frost or ice on the indoor coil shall not cover more than 50 % of the indoor-side face area of the indoor coil or reduce the airflow rate by more than 25 % of the initial airflow rate. [If measuring indoor air volume rate using a test apparatus that includes an exhaust fan (as in [Figure B.1](#)), the operating speed of the exhaust fan and/or the position of an in-line

flow damper shall be controlled to maintain zero static pressure during the 4-h test.] If the equipment and test apparatus do not allow for visual observation of the indoor coil and if the indoor air volume rate is not measured, then the requirements of 5.3.5.3 shall be met.

5.3.5.3 During the 4-h test period, the midpoint temperature of every indoor coil circuit or the refrigerant suction pressure shall be measured at equal intervals that span 1 min or less. The measurement(s) carried out 10 min after beginning the 4-h test shall be defined as the initial value(s). If the suction pressure is measured, it shall be used to calculate the saturated suction temperature.

- a) If the compressor(s) do(es) not cycle OFF on automatic controls during the test, and
 - if coil circuit temperatures are measured, the temperatures shall not remain more than 2 K below the corresponding initial value for each circuit for more than 20 consecutive min, or
 - if suction pressure is measured, the saturated suction temperature shall not remain more than 2 K below the initial value for more than 20 consecutive min.
- b) If the compressor(s) cycle(s) ON/OFF on automatic controls during the test, and
 - if coil circuit temperatures are measured, the individual circuit temperatures measured 10 min after the beginning of any ON cycle during the test shall not be more than 2 K below the corresponding initial circuit temperature(s), or
 - if suction pressure is measured, the saturated suction temperature measured 10 min after the beginning of any ON cycle during the test shall not be more than 2 K below the initial saturated suction temperature.

5.4 Freeze-up drip performance test

5.4.1 General conditions

The freeze-up drip performance test shall be run immediately after completion of the minimum cooling and freeze-up air blockage performance tests and at the conditions specified in Table 4. The test shall be conducted with the equipment functioning at full-load operation, as defined in 3.25, except as required in 5.4.3. The determination of capacity and electrical power is not required for this performance test.

5.4.2 Temperature conditions

The temperature conditions for the freeze-up drip performance test are given in Table 4.

5.4.3 Airflow conditions

The air inlet to the indoor coil shall be covered to completely block the passage of air, so as to attempt to achieve complete blockage of the evaporator by frost or ice.

5.4.3.1 Preconditions

The equipment shall be started and operated until the operating conditions given in Table 4 have stabilize in accordance with the tolerances in Table 12.

5.4.3.2 Duration of test

After the operating conditions have stabilized, the equipment shall be operated for a period of 4 h. The equipment shall be permitted to stop and start under the control of an automatic limit device, if provided. At the end of the 4-h test, the equipment shall be stopped and the air inlet covering removed until the accumulation of frost or ice has melted. The equipment shall then be turned on with the fan(s) operating at the highest speed for 5 min.

5.4.4 Performance requirements

During the test, no ice shall drip from the coil and no water shall drip or blow off the equipment on the indoor-side.

5.5 Condensate control and enclosure sweat performance test

5.5.1 General conditions

The conditions which shall be used during the condensate control and enclosure sweat test are given in [Table 5](#). The test shall be conducted with the equipment functioning at full-load operation, as defined in [3.25](#), except as required in [5.5.3](#). The determination of cooling capacity and electrical power input is not required for this performance test.

5.5.2 Temperature conditions

The temperature conditions which shall be used during this test are given in [Table 5](#).

Table 5 — Condensate control and enclosure sweat performance test conditions

Parameter	Standard test conditions
Temperature of air entering indoor-side:	
— dry-bulb	27 °C
— wet-bulb	24 °C
Temperature of air entering outdoor-side:	
— dry-bulb	27 °C
— wet-bulb ^a	24 °C
Test frequency ^b	Rated frequency
Test voltage	See Table 2
^a The wet-bulb temperature condition shall only be required when testing air-cooled condensers that evaporate the condensate.	
^b Equipment with dual-rated frequencies shall be tested at each frequency.	

5.5.3 Airflow conditions

The controls, fans, dampers and grilles of the equipment shall be set to produce the maximum tendency to sweat, provided such settings are not contrary to the manufacturer's operating instructions.

5.5.4 Test conditions

5.5.4.1 Preconditions

After establishment of the specified temperature conditions, the equipment shall be started with its condensate collection pan filled to the overflowing point and the equipment shall be run until the condensate flow has become uniform.

5.5.4.2 Duration of test

The equipment shall be operated for a period of 4 h.

5.5.5 Performance requirements

5.5.5.1 When operating under the test conditions specified in [Table 5](#), no condensed water shall drip, run or blow from the equipment.

5.5.5.2 Equipment which rejects condensate to the condenser air shall dispose of all condensate and there shall be no dripping or blowing-off of water from the equipment such that the building or surroundings become wet.

6 Heating tests

6.1 Heating capacity tests

6.1.1 General conditions

6.1.1.1 For all heating capacity tests, the requirements specified in [Annex A](#) shall apply. Testing shall be conducted using the method(s) and instrumentation that meet the requirements of [7.1](#) and [7.2](#).

6.1.1.2 Selectable resistive elements used for heating indoor air shall be prevented from operating during all heating capacity tests, except those used only during a defrost cycle.

6.1.1.3 The test set-up shall include instrumentation to allow measurement of the temperature change across the indoor coil. If using the indoor air enthalpy method, the same dry-bulb temperature sensors as used to measure capacity may be used. If using the calorimeter test method, the temperature change shall be determined using the sensors specified in [Annex C](#).

6.1.1.4 Standard rating conditions for heating capacity tests are specified in [Table 6](#).

6.1.1.5 All [Clause 6](#) heating capacity tests shall be conducted with the heat pump at full-load operation, as defined in [3.25](#).

6.1.1.6 If the manufacturer of a heat pump having a variable-speed compressor does not provide information on the full-load frequency and how to achieve it during heating capacity tests, then the heat pump shall be operated with its thermostat or controller set to its maximum allowable temperature setting.

Table 6 — Heating capacity rating conditions

Parameter	Standard rating conditions
Temperature of air entering indoor-side: — dry-bulb — wet-bulb (maximum)	20 °C 15 °C
Temperature of air entering outdoor-side, H1: moderate cold condition — dry-bulb — wet-bulb	7 °C 6 °C
Temperature of air entering outdoor-side, H2: cold condition — dry-bulb — wet-bulb	2 °C 1 °C
Temperature of air entering outdoor-side, H3: very cold condition — dry-bulb — wet-bulb	-7 °C -8 °C
Test frequency ^a	Rated frequency
Test voltage	See Table 2
NOTE If a defrosting cycle occurs during the H1, H2 or H3 heating capacity tests, testing under these conditions are accomplished using either the calorimeter or the indoor air enthalpy method (see Annexes C and D). Refer to Clause 2 .	
^a Equipment with dual-rated frequencies is tested at each frequency.	

6.1.2 Temperature conditions

6.1.2.1 Three different outdoor-side temperature conditions, designated as H1-moderate cold condition, H2-cold condition and H3-very cold condition, are specified in [Table 6](#).

6.1.2.2 The [Table 6](#) temperature conditions for the air entering the indoor-side of the equipment shall be used for all heating capacity tests.

6.1.2.3 All heat pumps shall be rated based on testing at the H1-moderate cold condition temperature conditions. Heating capacity tests shall also be conducted at the H2-cold condition and/or H3-very cold condition temperature, if the manufacturer rates the equipment for operation at one or both of these temperature conditions.

6.1.2.4 If the heat pump is rated for operation at two frequencies or, in some cases, if the equipment has a dual-rated voltage, then more than one heating capacity test shall be conducted at each applicable outdoor-side temperature condition. [Table 6](#) (and [Table 2](#)) shall be used to determine if additional heating capacity tests are required.

6.1.3 Airflow conditions

6.1.3.1 Heat pump set-up requirements

On the outdoor-side of the heat pump, all resistance elements associated with inlets, louvres and any ductwork and attachments considered by the manufacturer as normal installation practice shall be installed. On the indoor-side of the heat pump, grille positions, damper positions, fan speeds, etc. shall be set in accordance with the manufacturer's published installation instructions, which are normally provided with the equipment. In the absence of such installation instructions, grille positions, damper positions, fan speeds, etc. shall be set to provide the maximum heating capacity when testing at the H1 temperature conditions. The heat pump set-up used for the H1 test shall be used during the H2 and/or H3 tests, if conducted. When tests are carried out at other settings, these settings shall be noted together with the heating capacity ratings.

6.1.3.2 Requirements when using the indoor air enthalpy method

Each heating capacity test shall be conducted with the external static pressure at each indoor unit maintained at 0 Pa. For the heating capacity calculations described in [Annex D](#), the indoor-side air volume flow rate shall be expressed in units of cubic metres per second (m^3/s) of the air-water vapour mixture. For reporting purposes, the indoor-side air volume flow rate shall be expressed in units of cubic metres per second of standard air.

NOTE 1 Airflow measurements are carried out according to the specifications in [Annex B](#), as appropriate, as well as the provisions established in other appropriate annexes of this document.

NOTE 2 Additional guidance for making airflow measurements can be found in ISO 3966 and ISO 5167-1.

6.1.4 Defrost operation

6.1.4.1 Overriding of automatic defrost controls shall be prohibited. The controls may only be overridden when manually initiating a defrost cycle during preconditioning.

6.1.4.2 If the heat pump turns the indoor fan off during the defrost cycle, airflow through the indoor coil shall cease.

6.1.5 Test procedure — General

6.1.5.1 The test procedure consists of three periods: a preconditioning period, an equilibrium period and a data collection period. The duration of the data collection period differs depending on whether the heat pump's operation is steady-state or transient. In the case of transient operation, in addition, the data collection period specified when using the indoor air enthalpy method (see [6.1.11.5](#)) is different from the data collection period required if using the calorimeter method (see [6.1.11.6](#)).

6.1.5.2 [Annex K](#) pictorially represents most of the different test sequences which are possible when conducting a heating capacity test.

6.1.6 Preconditioning period

6.1.6.1 The test room reconditioning apparatus and the heat pump under test shall be operated until the test tolerances specified in [7.3](#) are attained for at least 10 min.

6.1.6.2 A defrost cycle may end a preconditioning period. If a defrost cycle does end a preconditioning period, the heat pump shall operate in the heating mode for at least 10 min after defrost termination prior to beginning the equilibrium period.

6.1.6.3 It is recommended that the preconditioning period end with an automatic or manually-initiated defrost cycle when testing at the H2 and H3 temperature conditions.

6.1.7 Equilibrium period

6.1.7.1 A complete equilibrium period is 1 h in duration.

6.1.7.2 Except as specified in [6.1.11.3](#), the heat pump shall operate while meeting the [7.3](#) test tolerances.

6.1.8 Data collection period

6.1.8.1 The data collection period immediately follows the equilibrium period.

6.1.8.2 Data shall be collected as specified for the test method(s) chosen from 7.1. If using the calorimeter method, heating capacity shall be calculated as specified in Annex C. If using the indoor air enthalpy method, heating capacity shall be calculated as specified in Annex D. For cases where one of the confirmative test methods from 7.1.3.1 is used, heating capacity shall be calculated as specified in the appropriate annex.

6.1.8.3 An integrating electrical power (watt-hour) meter or measuring system shall be used for measuring the electrical energy supplied to the equipment. During defrost cycles and for the first 10 min following a defrost termination, the meter or measuring system shall have a sampling rate of at least every 10 s.

6.1.8.4 Except as specified in 6.1.8.3 and 6.1.8.5, data shall be sampled at equal intervals that span 30 s or less.

6.1.8.5 During defrost cycles, plus the first 10 min following defrost termination, certain data used in evaluating the integrated heating capacity of the heat pump shall be sampled more frequently, at equal intervals that span 10 s or less. When using the indoor air enthalpy method, these more-frequently sampled data include the change in indoor-side dry-bulb temperature. When using the calorimeter method, these more-frequently sampled data include all measurements required to determine the indoor-side capacity.

6.1.8.6 For heat pumps that automatically cycle off the indoor fan during a defrost, the contribution of the net heating delivered and/or the change in indoor-side dry-bulb temperature shall be assigned the value of zero when the indoor fan is off, if using the indoor air enthalpy method. If using the calorimeter test method, the integration of capacity shall continue while the indoor fan is off.

6.1.8.7 For both the indoor air enthalpy and the calorimeter test methods, the difference between the dry-bulb temperature of the air leaving and entering the indoor coil shall be measured. For each 5-min interval during the data collection period, an average temperature difference shall be calculated, $\Delta t_i(\tau)$. The average temperature difference for the first 5 min of the data collection period, $\Delta t_i(\tau = 0)$, shall be saved for the purpose of calculating the change, Δt , expressed as a percentage, as given in Formula (1):

$$\% \Delta t = \left(\frac{\Delta t_{i(\tau=0)} - \Delta t_{i(\tau)}}{\Delta t_{i(\tau=0)}} \right) \times 100 \quad (1)$$

6.1.9 Test procedure when a defrost cycle (whether automatically or manually initiated) ends the preconditioning period

6.1.9.1 If the quantity $\% \Delta t$ exceeds 2,5 % during the first 35 min of the data collection period, the heating capacity test shall be designated as a transient test (see 6.1.11). Likewise, if the heat pump initiates a defrost cycle during the equilibrium period or during the first 35 min of the data collection period, the heating capacity test shall be designated as a transient test.

6.1.9.2 If the conditions specified in 6.1.9.1 do not occur and the test tolerances given in 7.3 are satisfied during both the equilibrium period and the first 35 min of the data collection period, then the heating capacity test shall be designated as a steady-state test. Steady-state tests shall be terminated after 35 min of data collection.

6.1.10 Test procedure when a defrost cycle does not end the preconditioning period

6.1.10.1 If the heat pump initiates a defrost cycle during the equilibrium period or during the first 35 min of the data collection period, the heating capacity test shall be restarted as specified in 6.1.10.3.

6.1.10.2 If the quantity $\% \Delta t$ exceeds 2,5 % any time during the first 35 min of the data collection period, the heating capacity test shall be restarted as specified in [6.1.10.3](#). Prior to the restart, a defrost cycle shall occur. This defrost cycle may be manually initiated or delayed until the heat pump initiates an automatic defrost.

6.1.10.3 If either [6.1.10.1](#) or [6.1.10.2](#) applies, then the restart shall begin 10 min after the defrost cycle terminates with a new, hour-long equilibrium period. This second attempt shall follow the requirements of [6.1.7](#) and [6.1.8](#) and the test procedure of [6.1.9](#).

6.1.10.4 If the conditions specified in [6.1.10.1](#) or [6.1.10.2](#) do not occur and the test tolerances given in [7.3](#) are satisfied during both the equilibrium period and the first 35 min of the data collection period, then the heating capacity test shall be designated as a steady-state test. Steady-state tests shall be terminated after 35 min of data collection.

6.1.11 Test procedure for transient tests

6.1.11.1 When, in accordance with [6.1.9.1](#), a heating capacity test is designated as a transient test, the adjustments specified in [6.1.11.2](#) to [6.1.11.6](#) shall apply.

6.1.11.2 In all cases, the normal outdoor-side airflow of the heat pump shall not be disturbed. If applicable, the outdoor enthalpy test apparatus shall be disconnected and the transient heating capacity test shall be restarted from the beginning with a new [6.1.6](#) preconditioning period.

6.1.11.3 To constitute a valid transient heating capacity test, the test tolerances specified in [Table 7](#) shall be achieved during both the equilibrium period and the data collection period. As noted in [Table 7](#), the test tolerances are specified for two subintervals. Interval H consists of data collected during each heating interval, with the exception of the first 10 min after defrost termination. Interval D consists of data collected during each defrost cycle plus the first 10 min of the subsequent heating interval.

6.1.11.4 The test tolerance parameters in [Table 7](#) shall be determined throughout the equilibrium and data collection periods. All data collected during each interval, H or D, shall be used to evaluate compliance with the [Table 7](#) test tolerances. Data from two or more H intervals or two or more D intervals shall not be combined and then used in evaluating [Table 7](#) compliance. Compliance is based on evaluating data from each interval separately.

6.1.11.5 If using the indoor air enthalpy method, the data collection period shall be extended until 3 h have elapsed or until the heat pump completes three complete cycles during the period, whichever occurs first. If at an elapsed time of 3 h, the heat pump is conducting a defrost cycle, the cycle shall be completed before terminating the collection of data. A complete cycle consists of a heating period and a defrost period; from defrost termination to defrost termination.

6.1.11.6 If using the calorimeter method, the data collection period shall be extended until 6 h have elapsed or until the heat pump completes six complete cycles during the period, whichever occurs first. If at an elapsed time of 6 h, the heat pump is conducting a defrost cycle, the cycle shall be completed before terminating the collection of data. A complete cycle consists of a heating period and a defrost period; from defrost termination to defrost termination.

Table 7 — Variations allowed in heating capacity tests when using the transient (T) test procedure

Reading	Variation of arithmetical mean values from specified test conditions		Variation of individual readings from specified test conditions	
	Interval H ^a	Interval D ^b	Interval H ^a	Interval D ^b
Temperature of air entering indoor-side:				
— dry-bulb	±0,6 K	±1,5 K	±1,0 K	±2,5 K
— wet-bulb	—	—	—	—
Temperature of air entering outdoor-side:				
— dry-bulb	±0,6 K	±1,5 K	±1,0 K	±5,0 K
— wet-bulb	±0,3 K	±1,0 K	±0,6 K	—
Voltage	—	—	±2 %	±2 %

^a Applies when the heat pump is in the heating mode, except for the first 10 min after termination of a defrost cycle.

^b Applies during a defrost cycle and during the first 10 min after the termination of a defrost cycle when the heat pump is operating in the heating mode.

6.1.12 Heating capacity test results

Average heating capacity and average electrical power input shall be calculated in accordance with 8.1.4. For transient tests, the quantities shall be calculated using data from the total number of complete cycles that are achieved within the data collection period. In the event that a complete cycle does not occur during the data collection period of a transient test, the entire data collection period shall be used for the calculations (see 8.1.4.2).

6.2 Maximum heating performance test

6.2.1 General conditions

The conditions given in Table 8 shall be used during the maximum heating performance test. The test shall be conducted with the equipment functioning at full-load operation, as defined in 3.25.

The test voltages in Table 8 shall be maintained at the specified percentages under running conditions.

The determination of heating capacity and electrical power input is not required for this performance test.

6.2.2 Temperature conditions

The temperature conditions given in Table 8 shall be used during these tests, unless the manufacturer specifies higher temperature conditions in the manufacturer's equipment specification sheets.

Table 8 — Maximum heating performance test conditions

Parameter	Standard test conditions
Temperature of air entering indoor-side: — dry-bulb	27 °C
Temperature of air entering outdoor-side: — dry-bulb — wet-bulb	24 °C 18 °C
Test frequency ^a	Rated frequency
Test voltage	a) 90 % and 110 % of rated voltage for equipment with a single nameplate rating b) 90 % of the lower rated voltage and 110 % of the higher rated voltage for equipment with a dual or extended nameplate voltage
^a Equipment with dual-rated frequencies shall be tested at each frequency.	

6.2.3 Airflow conditions

The maximum heating performance test shall be conducted with an indoor-side fan speed setting as determined in 5.1.4.1.2, except as required in 6.2.4.1. For heating-only heat pumps, the indoor-side fan speed shall be set as specified in 6.1.3.1, except as required in 6.2.4.1.

6.2.4 Test conditions

6.2.4.1 Preconditions

The controls of the equipment shall be set for maximum heating. All ventilating air dampers and exhaust air dampers, if provided, shall be closed.

6.2.4.2 Duration of the test

The equipment shall be operated for 1 h after the specified air temperatures have been attained from Table 8 and Table 12. The equipment shall be permitted to stop and start under the control of an automatic limit device, if provided.

6.2.5 Performance requirements

The equipment shall operate under the conditions specified in Table 8 and 6.2.4.2, without indication of damage. The equipment shall be permitted to stop and start under the control of an automatic limit device, if provided. After the interruption of operation, the equipment shall resume operation within 30 min. Refer to Figure 2.

6.3 Minimum heating performance test

6.3.1 General conditions

The conditions given in Table 9 shall be used for this test. The test shall be conducted with the equipment functioning at full-load operation, as defined in 3.25. The voltage shall be maintained at the specified value under running conditions. The determination of heating capacity and electrical power input is not required for this performance test. This test is only applicable to units including a rating to region H3.

6.3.2 Temperature conditions

The temperature conditions of this test shall be as given in Table 9.

6.3.3 Airflow conditions

The controls of the equipment shall be set for maximum heating. All ventilating air dampers and exhaust air dampers, if provided, shall be closed.

6.3.4 Test condition

6.3.4.1 Preconditions

The equipment shall be operated for 1 h under the temperature conditions and voltage specified in [Table 9](#).

Table 9 — Minimum heating performance test conditions

Parameter	Standard test conditions
Temperature of air entering indoor-side: — dry-bulb	20 °C
Temperature of air entering outdoor-side: — dry-bulb — wet-bulb	–7 °C –8 °C
Test frequency ^a	Rated frequency
Test voltage ^b	See Table 2
^a Equipment with dual-rated frequencies shall be tested at each frequency.	
^b The test voltage of dual-rated equipment shall be the higher voltage from Table 2 .	

6.3.4.2 Duration of test

After the equipment has reached stable operating conditions ([Tables 9](#) and [12](#)), these conditions shall be maintained for 1 h.

6.3.5 Performance requirements

The heat pump shall operate throughout the test without a cutoff by any safety control.

6.4 Automatic defrost performance test

6.4.1 General conditions

This test is not required if provision is made to ensure that cool air (less than 18 °C) is not blown into the conditioned space during defrost. The test shall be conducted with the equipment functioning at full-load operation, as defined in [3.25](#), except as required in [6.4.3](#). The conditions for test frequency and test voltage given in [Table 6](#) shall be used during the automatic defrost test. The determination of heating capacity and electrical power input is not required for this performance test.

6.4.2 Temperature conditions

The temperature of air entering the indoor-side shall be set as specified in [Table 6](#). The temperature of air entering the outdoor-side shall be set as specified for the H2 test conditions in [Table 6](#).

6.4.3 Airflow conditions

Unless prohibited by the manufacturer, the indoor-side fan is to be adjusted to the highest speed and the unit outdoor-side fan to the lowest speed, if separately adjustable. All other parameters shall be set as specified in [6.1.3.1](#).

6.4.4 Test conditions

6.4.4.1 Duration of test

The equipment shall be operated until the temperatures specified for H2 conditions in [Table 6](#) have been stabilized.

The heat pump shall remain in operation for two complete defrosting periods or for 3 h, whichever is longer.

6.4.5 Performance requirements

During the defrosting period, the temperature of the air from the indoor-side of the equipment shall not be lower than 18 °C for longer than 1 min.

7 Test methods and uncertainties of measurements

7.1 Test methods

7.1.1 General

Capacity tests shall be conducted in accordance with the testing requirements specified in [Annex A](#), using either the calorimeter test method (see [Annex C](#)) or the indoor air enthalpy test method (see [Annex D](#)), subject to the provision that the test results are within the limits of uncertainties of measurements established in [7.2](#).

7.1.2 Calorimeter test method

7.1.2.1 When using the calorimeter method for cooling capacity tests and for steady-state heating capacity tests, two simultaneous methods of determining capacities shall be used. One method determines the capacity on the indoor-side, the other measures the capacity on the outdoor-side. The capacity determined using the outdoor-side data shall agree within 5 % of the value obtained using the indoor-side data for the test to be valid.

7.1.2.2 Steady-state conditions are achieved when the measured capacity at each 5-min time interval does not vary by more than 2 % from the average measured capacity over the previous 35 min.

7.1.3 Indoor air enthalpy test method

7.1.3.1 For cooling capacity tests and steady-state heating capacity tests, a test of confirmation is recommended to verify the results obtained using the indoor air enthalpy test method. One of the following test methods can be used for confirmative purposes:

- a) refrigerant enthalpy method (see [Annex E](#));
- b) outdoor air enthalpy test method (see [Annex F](#));
- c) indoor calorimeter confirmative test method (see [Annex G](#));
- d) outdoor calorimeter confirmative test (see [Annex H](#));
- e) balanced calorimeter confirmative test method (see [Annex I](#)).

NOTE [Annex I](#) is not used as a confirmative test by testing laboratories (see [1.1.1](#)).

7.1.3.2 The results of the primary test shall agree with the results of the confirmative test to within 5 % to be valid.

Steady-state conditions are achieved when the measured capacity at each 5-min time interval does not vary by more than 2,5 % from the average measured capacity over the previous 35 min.

7.1.4 Capacity tests

On the cooling cycle, it is recommended that the latent cooling capacity be determined using the **cooling condensate** method (see [Annex J](#)) subject to the provision that the test results are within the **limits** of uncertainties of measurements established in [7.2](#).

7.2 Uncertainties of measurement

7.2.1 The uncertainties of measurement shall not exceed the values specified in [Table 10](#).

NOTE Uncertainties of measurement can be estimated. ISO/TS 16491 is available as appropriate guidance.

Table 10 — Uncertainties of measurement

Measured quantity	Uncertainty of measurement ^a
Water:	
— temperature	0,1 °C
— temperature difference	0,1 °C
— volume flow	1 %
— static pressure difference	5 %
Air:	
— dry-bulb temperature	0,2 °C
— wet-bulb temperature greater than 0 °C ^b	0,2 °C
— wet-bulb temperature less than or equal to 0 °C ^b	0,3 °C
— volume flow	5 %
— static pressure difference	5 Pa for pressure ≤100 Pa 5 % for pressure >100 Pa
Electrical measurements	0,5 %
Time	0,2 %
Mass	1,0 %
Speed	1,0 %
Refrigerant pressure	2,0 %
NOTE Uncertainty of measurement comprises, in general, many components. Some of these components can be estimated on the basis of the statistical distribution of the results of series of measurements and can be characterized by experimental standard deviations. Estimates of other components can be based on experience or other information. ISO/TS 16491 is available as an appropriate guidance.	
^a Uncertainty of measurement is an estimate characterizing the range of values within which the true value of the measurement lies, based on a 95 % confidence interval (see ISO/IEC Guide 98-3).	
^b This may be measured directly or indirectly.	

7.2.2 The steady-state cooling and heating capacities determined using the calorimeter method shall be determined with a maximum uncertainty of 5 %. This value is an expanded uncertainty of measurement expressed at the level of confidence of 95 %.

7.2.3 Heating capacity determined during transient operation (defrost cycles) using the calorimeter method shall be determined with a maximum uncertainty of 10 %. This value is an expanded uncertainty of measurement expressed at the level of confidence of 95 %.

7.2.4 The heating and cooling capacities measured on the air side using the air enthalpy method shall be determined with a maximum uncertainty of 10 %. This value is an expanded uncertainty of measurement expressed at a level of confidence of 95 %.

7.3 Test tolerances for steady-state cooling and heating tests

7.3.1 The maximum permissible variation of any individual observation from a specified test condition during a steady-state cooling and heating capacity test is listed in column 3 of [Table 11](#). If a test condition is not specified, the values in column 3 of [Table 11](#) represent the greatest permissible difference between maximum and minimum instrument observations during the test. When expressed as a percentage, the maximum allowable variation is the specified percentage of the arithmetical average of the observations.

Table 11 — Variations allowed during steady-state cooling and heating capacity tests

Reading	Variation of arithmetical mean values from specified test conditions	Maximum variation of individual readings from specified test conditions
Temperature of air entering indoor-side:		
— dry-bulb	$\pm 0,3$ K	$\pm 0,5$ K
— wet-bulb	$\pm 0,2$ K ^a	$\pm 0,3$ K ^a
Temperature of air entering outdoor-side:		
— dry-bulb	$\pm 0,3$ K	$\pm 0,5$ K
— wet-bulb	$\pm 0,2$ K ^b	$\pm 0,3$ K ^b
Voltage	± 1 %	± 2 %
^a Not applicable to heating tests.		
^b Only applicable to cooling capacity tests if equipment rejects condensate to the outdoor coil.		

7.3.2 The maximum permissible variations of the average observations from the standard or specified test conditions are shown in column 2 of [Table 11](#).

7.3.3 For cooling capacity tests, the dry-bulb and wet-bulb temperatures of the air entering the indoor-side and outdoor-side shall be sampled at equal intervals spanning 30 s or less throughout the preconditioning and data collection periods. The specified sampling of the wet-bulb temperature of the air entering the outdoor-side shall be waived for equipment that rejects condensate to a location other than the outdoor coil.

7.3.4 For steady-state heating capacity tests, the dry-bulb temperature of the air entering the indoor-side and the dry-bulb and wet-bulb temperatures of the air entering the outdoor-side shall be sampled at equal intervals spanning 30 s or less throughout the preconditioning and data collection periods.

7.3.5 Except as noted in [7.3.3](#), all applicable parameters from [Table 11](#) shall be sampled at equal intervals that span 5 min or less during cooling capacity tests. Except as noted in [7.3.4](#), all applicable parameters from [Table 11](#) shall be sampled at equal intervals spanning 30 s or less during heating capacity tests.

7.3.6 For the preconditioning period, equilibrium shall be defined as an interval of specified duration where the applicable test tolerances in [Table 12](#) are satisfied. When a defrost cycle occurs during the preconditioning period of a heating capacity test, the parameters sampled between defrost initiation and 10 min after defrost termination shall be excluded when evaluating compliance to the test tolerances in [Table 12](#). As noted in [6.1.8.5](#), the sampling frequency of the indoor dry-bulb temperature is subject to change during defrost cycles, if using the indoor air enthalpy test method.

7.3.7 For the data collection period used in determining the equipment's measured space conditioning capacity, compliance with the applicable [Table 11](#) test tolerances shall be achieved.

7.4 Test tolerances for performance tests

The maximum allowable variation of any individual observation made during a performance test from the specified test condition is shown in [Table 12](#).

Table 12 — Test tolerances for performance tests

Reading	Maximum variation of individual readings from specified test conditions ^a
Air temperature:	
— dry-bulb	±1,0 K
— wet-bulb	±0,5 K
Water temperature	±0,5 K
Voltage	±2%

^a The test tolerances do not apply when the equipment is stopped, when changing compressor speed or from defrost initiation to 10 min after defrost termination. During these intervals, dry-bulb temperature tolerances of ±2,5 K on the indoor-side and ±5 K on the outside shall apply.

8 Test results

8.1 Capacity results

8.1.1 General

The results of a capacity test shall express quantitatively the effects produced on air by the equipment tested. For given test conditions, the capacity test results shall include the following quantities as applicable to cooling or heating:

- total cooling capacity, in watts;
- sensible cooling capacity, in watts;
- latent cooling capacity, in watts;
- heating capacity, in watts;
- indoor-side airflow rate, m³/s of standard air;
- effective power input to the equipment or individual power inputs to each of the electrical equipment components, in watts.

NOTE 1 For a), b) and d), standard ratings for capacities include the effects of the circulating fan heat.

NOTE 2 For determination of latent cooling capacity, see [Annex C](#) if using the calorimeter test method and [Annex D](#) if using the indoor air enthalpy test method.

8.1.2 Adjustments

8.1.2.1 Test results shall be used to determine capacities without adjustment for permissible variations in test conditions. Air enthalpies, specific volumes and isobaric specific heat capacities shall be based on the measured barometric pressure.

8.1.2.2 For calorimetric testing, variations from standard barometric pressure may have an impact on the measured capacity. If capacity, adjusted for standard barometric pressure, is additionally reported an explanation of the adjustment method should be included in the test report.

8.1.3 Cooling capacity calculations

8.1.3.1 An average cooling capacity shall be determined from the set of cooling capacities recorded over the data collection period.

8.1.3.2 An average electrical power input shall be determined from the set of electrical power inputs recorded over the data collection period or from the integrated electrical power for the same interval, for cases where an electrical energy meter is used.

8.1.4 Heating capacity calculations

8.1.4.1 Steady-state capacity tests

8.1.4.1.1 If the heating capacity test is conducted in accordance with the provisions of 6.1.9.2 or 6.1.10.4, heating capacity shall be calculated using data from each data sampling in accordance with Annex C, if using the calorimeter test method, or in accordance with Annex D, if using the indoor air enthalpy test method.

8.1.4.1.2 An average heating capacity shall be determined from the set of heating capacities recorded over the 35 min data collection period.

8.1.4.1.3 An average electrical power input shall be determined from the set of electrical power inputs recorded over the 35 min data collection interval or from the integrated electrical power recorded over the 35 min data collection period.

8.1.4.2 Transient capacity tests

8.1.4.2.1 If the heating capacity test is conducted in accordance with the provisions of 6.1.11, an average heating capacity shall be determined. This average heating capacity shall be calculated as specified in Annex C, if using the calorimeter test method and as specified in Annex D, if using the indoor air enthalpy test method.

8.1.4.2.2 For equipment where one or more complete cycles occur during the data collection period, the following shall apply. The average heating capacity shall be determined using the integrated capacity and the elapsed time corresponding to the total number of complete cycles that occurred over the data collection period. The average electrical power input shall be determined using the integrated power input and the elapsed time corresponding to the total number of complete cycles during the same data collection period as the one used for the heating capacity.

NOTE A complete cycle consists of a heating period and a defrost period from defrost termination to defrost termination.

8.1.4.2.3 For equipment that does not conduct a complete cycle during the data collection period, the following shall apply. The average heating capacity shall be determined using the integrated capacity and the elapsed time corresponding to the total data collection period (3 h if using the indoor air enthalpy test method; 6 h if using the calorimeter test method). The average electrical power input shall be determined using the integrated power input and the elapsed time corresponding to the same data collection period as the one used for the heating capacity.

8.2 Data to be recorded

The data to be recorded for the capacity tests are given in [Tables 13](#) and [14](#) for the calorimeter test method and in [Table 15](#) for the indoor air enthalpy test method. The tables identify the general information required, but are not intended to limit the data to be obtained. Electrical input values used for rating purposes shall be those measured during the capacity tests.

8.3 Test report

8.3.1 General information

As a minimum, the test report shall contain the following general information:

- a reference to this document, i.e. ISO 5151;
- date;
- test institute;
- test location;
- primary test and confirmative test methods;
- test supervisor;
- cooling climate type designations and heating rating conditions (i.e. T1, T2, T3, H1, H2 and H3);
- description of test set-up, including equipment location;
- nameplate information (see [9.2](#)).

Table 13 — Data to be recorded for calorimeter cooling capacity tests

No.	Data
1	Date
2	Observers
3	Barometric pressure, in kPa
4	Fan speed settings, indoor and outdoor
5	Applied voltage, in V
6	Frequency, in Hz
7	Total current input to equipment, in A
8	Total power input to equipment ^a , in W
9	Setting of variable capacity compressor at full load
10	Dry-bulb and wet-bulb temperatures of air (indoor-side calorimeter test chamber) ^b , in °C
11	Dry-bulb and wet-bulb temperature of air (outdoor-side calorimeter test chamber) ^b , in °C
12	Average air temperature outside the calorimeter, if calibrated (see Figure C.1), in °C
13	Total power input to indoor-side and outdoor-side test chamber, in kW
14	Quantity of water evaporated in humidifier, in kg
15	Temperature of humidifier water entering indoor-side and outdoor-side (if used) test chambers or in humidifier tank, in °C
16	Cooling water flow rate through outdoor-side test chamber heat-rejection coil, in l/s
17	Temperature of cooling water entering outdoor-side test chamber, for heat-rejection coil, in °C
^a Total power input to the equipment, except if more than one external power connection is provided on the equipment: record input to each connection separately.	
^b For equipment that evaporates condensate on the outdoor coil.	

Table 13 (continued)

No.	Data
18	Temperature of cooling water leaving outdoor-side test chamber, for heat-rejection coil, in °C
19	Mass of water from equipment which is condensed in the reconditioning equipment ^c , in kg
20	Temperature of condensed water leaving outdoor-side test chamber, in °C
21	Volume of airflow through measuring nozzle of the separating partition, in m ³ /s
22	Air-static pressure difference across the separating partition of calorimeter test chambers, in Pa
23	Refrigerant charge, added by the test house, in kg
24	Factory charge, in kg
^a Total power input to the equipment, except if more than one external power connection is provided on the equipment; record input to each connection separately.	
^b For equipment that evaporates condensate on the outdoor coil.	

Table 14 — Data to be recorded for calorimeter heating capacity tests

No.	Data
1	Date
2	Observers
3	Barometric pressure, in kPa
4	Fan speed settings, indoor and outdoor
5	Applied voltage, in V
6	Frequency, in Hz
7	Total current input to equipment, in A
8	Total power input to equipment ^a , in W
9	Setting of variable capacity compressor at full load
10	Dry-bulb and wet-bulb temperatures of air (indoor-side calorimeter test chamber), in °C
11	Dry-bulb and wet-bulb temperature of air (outdoor-side calorimeter test chamber), in °C
12	Average air temperature outside the calorimeter, if calibrated (see Figure C.1), in °C
13	Total power input to indoor-side and outdoor-side test chamber, in W
14	Quantity of water evaporated in humidifier, in kg
15	Temperature of humidifier water entering indoor-side and outdoor-side (if used) test chambers or in humidifier tank, in °C
16	Cooling water flow rate through indoor-side test chamber heat-rejection coil, in l/s
17	Temperature of cooling water entering indoor-side test chamber, for heat-rejection coil, in °C
18	Temperature of cooling water leaving indoor-side test chamber, for heat-rejection coil, in °C
19	Mass of water from equipment which is condensed in the outdoor-side test chamber, in kg
20	Temperature of condensed water leaving outdoor-side test chamber, in °C
21	Volume of airflow through measuring nozzle of the separating partition, in m ³ /s
22	Air-static pressure difference across the separating partition of calorimeter test chambers, in Pa
23	Refrigerant charge, added by the test house, in kg
24	Factory charge, in kg
^a Total power input to the equipment, except if more than one external power connection is provided on the equipment; record input to each connection separately.	

Table 15 — Data to be recorded during the indoor air enthalpy capacity tests

No.	Data
1	Date
2	Observers
3	Barometric pressure, in kPa
4	Time of test
5	Power input to equipment ^a , in W
6	Energy input to equipment ^b , in Wh
7	Applied voltage(s), in V
8	Current, in A
9	Frequency, in Hz
10	External resistance to airflow, in Pa
11	Fan speed settings, indoor and outdoor
12	Setting of variable capacity compressor at full load
12	Dry-bulb temperature of air entering equipment, in °C
13	Wet-bulb temperature of air entering equipment, in °C
14	Dry-bulb temperature of air leaving equipment, in °C
15	Wet-bulb temperature of air leaving equipment, in °C
16	Outdoor dry-bulb and wet-bulb temperatures, in °C
17	Volume flow rate of air and all relevant measurements for its calculation, in m ³ /s
18	Refrigerant charge added by the test house, in kg
19	Factory charge, in kg
^a	Total power input and, where required, input to equipment components.
^b	Energy input to equipment is required only during defrost operations.

8.3.2 Capacity tests

The values reported shall be the mean of the values taken over the data collection period and shall be stated with an uncertainty of measurement at a confidence level of 95 % and in accordance with ISO/IEC Guide 98-3.

NOTE Uncertainties of measurement can be estimated. ISO/TS 16491 is available as appropriate guidance.

8.3.3 Performance tests

8.3.3.1 The test report shall indicate whether the test passed or failed based upon recorded data.

For all performance tests relevant information shall be recorded to show the specific requirements for each test has been met. This shall be as a minimum the data requirements of Table 13, 14 or 15 (as appropriate) recorded at least once every 5 min, and additionally, information listed in 8.3.3.2 to 8.3.3.7.

8.3.3.2 For maximum cooling performance tests (5.2):

- current recorded at least once every 5 min, in A;
- time at which the power to the unit was interrupted;
- time(s) at which the unit automatically starts and/or stops operating.

8.3.3.3 For minimum cooling, freeze-up air blockage and freeze = up drip performance tests (5.3):

- coil circuit temperatures or the suction pressure recorded at least once every 1 min.

8.3.3.4 For freeze-up drip performance test (5.4):

- pictures or sketches of the unit at the end of the test that clearly depict any areas of moisture outside of the unit.

8.3.3.5 For condensate control and enclosure sweat performance test (5.5):

- pictures or sketches of the unit at the end of the test that clearly depict any areas of moisture outside of the unit.

8.3.3.6 For maximum heating performance test (6.2):

- current recorded at least every 5 min, in A;
- time(s) at which the unit automatically starts and/or stops operating.

8.3.3.7 For automatic defrost performance test (6.4):

- temperature of the air leaving the indoor-side of the equipment recorded at least once every 1 min, in °C.

NOTE No additional data is required for minimum heating performance test (6.3).

9 Marking provisions**9.1 Nameplate requirements**

Each individual unit of the air conditioner and heat pump system, single package and split-system assembly, shall have a durable nameplate, firmly attached to it and in a location accessible for reading.

9.2 Nameplate information

The nameplate shall carry the following minimum information, in addition to the information required by International Standards on safety:

- manufacturer's name or trademark;
- any distinctive type or model number and serial number;
- rated voltage(s);
- rated frequency(ies);
- cooling climate designations and heating rating conditions (i.e. T1, T2, T3, H1, H2 and H3, as applicable);
- refrigerant designation in accordance with ISO 817;

NOTE National regulations could specify designations.

- factory refrigerant mass charge [listed on the unit containing the compressor(s)].

9.3 Split systems

The information in 9.2 a), b), c), d), and f) shall also be provided on each indoor element of a split system and g) shall be provided on the outdoor unit.

10 Publication of ratings

10.1 Standard ratings

10.1.1 Standard ratings shall be published for cooling capacities (sensible, latent and total), heating capacity, EER and COP, for all systems produced in conformance to this document. These ratings shall be based on data obtained at the established rating conditions in accordance with the provisions of this document.

10.1.2 The values of the standard capacities shall be expressed in kilowatts or watts, rounded to three significant figures.

10.1.3 The values of EER and COP shall be rounded to three significant figures.

10.1.4 Each capacity rating shall be followed by the corresponding test voltage (see column 2 of [Table 2](#)) and frequency rating.

10.2 Other ratings

Additional ratings may be published based on conditions other than those specified as standard rating conditions.

NOTE This could include ratings based on conditions specified in national regulations.

The data are determined by the methods specified in this document or by analytical methods which are verifiable by the test methods specified in this document.

Annex A (normative)

Test requirements

A.1 General test room requirements

A.1.1 If an indoor condition test room is required, it shall be a room or space in which the **desired** test conditions can be maintained within the prescribed tolerances. It is recommended that **air velocities** in the vicinity of the equipment under test not exceed 2,5 m/s.

A.1.2 If an outdoor condition test room or space is required, it shall be of **sufficient** volume and shall circulate air in a manner such that it does not change the normal air circulating **pattern** of the equipment under test. It shall be of such dimensions that the distance from any room **surface** to any equipment surface from which air is discharged is not less than 1,8 m and the distance **from** any other room surface to any other equipment surface is not less than 1,0 m, except for floor **or** wall relationships **required** for normal equipment installation. The room conditioning apparatus **should** handle air **at a** rate not less than the outdoor airflow rate, and preferably should take this air **from** the direction of the equipment air discharge and return it at the desired conditions uniformly **and** at **low** velocities.

A.1.3 If the calorimeter room method is used with a **facility** having **more** than two rooms, then the additional rooms shall also comply with the requirements of **Annex C**. If the air enthalpy method is used with a facility having more than two rooms, the **additional** rooms **shall** also comply with the requirements of **Annex D**.

A.2 Equipment installation

A.2.1 The equipment to be tested **shall be** installed **in** accordance with the manufacturer's installation instructions using recommended **installation** procedures and accessories. If the equipment can be installed in multiple positions, **all** tests shall be conducted using the least favourable configuration according to the manufacturer's **recommendation**. In all cases, the manufacturer's recommendations with respect to distances **from** adjacent walls, **amount** of extensions through walls, etc. shall be followed.

A.2.2 Ducted equipment rated at **less** than 8 kW and intended to operate at external static pressures of less than 25 Pa **shall be** tested at **free** delivery of air.

A.2.3 No **other** alterations **to** the equipment shall be made except for the attachment of the required test apparatus **and** instruments in the prescribed manner.

A.2.4 If necessary, the equipment shall be evacuated and charged with the type and amount of refrigerant specified in the manufacturer's instructions.

A.2.5 All standard ratings for equipment in which the condenser and the evaporator are two separate assemblies shall be determined with 5 m to 7,5 m length of connecting refrigerant tubing on each line. The lengths shall be actual lengths, not equivalent lengths, and no account shall be taken of the resistance provided by bends, branches, connecting boxes or other fittings used in the installation for the test piece. The length of the connecting tubing shall be measured from the enclosure of the indoor unit to the enclosure of the outdoor unit. Such equipment in which the interconnecting tubing is furnished as an integral part of the unit and not recommended for cutting to length shall be tested with the complete length of tubing furnished. Not less than 40 % of the total length of the interconnecting tubing shall

be exposed to the outdoor conditions with the rest of the tubing exposed to the indoor conditions. The line diameters, insulation, details of installation, evacuation and charging shall be in accordance with the manufacturer's published recommendations.

Annex B (informative)

Airflow measurement

B.1 Airflow determination

B.1.1 Airflow should be measured using the apparatus and testing procedures given in this **annex**.

B.1.2 Airflow quantities are determined as mass flow rates. If airflow quantities **are to be** expressed for rating purposes in volume flow rates, such ratings should state the conditions (pressure, temperature and humidity) at which the specific volume is determined.

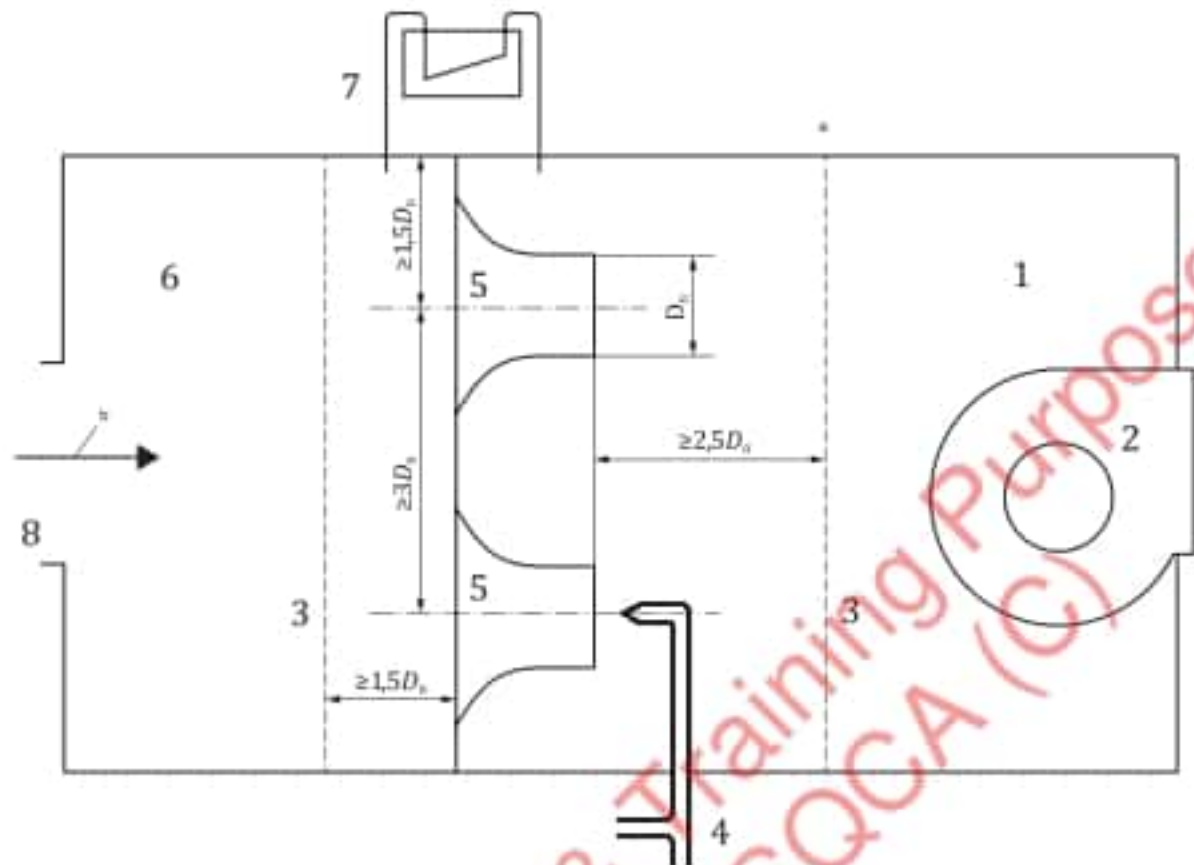
B.2 Airflow and static pressure

The area of a nozzle, A_n , should be determined by measuring its diameter to an accuracy of $\pm 0,2$ % in four locations approximately 45° apart around the nozzle in **each of two places** through the nozzle throat, one at the outlet and the other in the straight section **near the radius**.

B.3 Nozzle apparatus

B.3.1 Nozzle apparatus, consisting of a receiving chamber and a discharge chamber separated by a partition in which one or more nozzles are located (see [Figure B.1](#)). Air from the equipment under test is conveyed via a duct to the receiving chamber, **passes** through the nozzle(s) and is then exhausted to the test room or channelled back to the equipment's inlet.

The nozzle apparatus and its connections **to the equipment's** inlet should be sealed such that air leakage does not exceed 1,0 % of the airflow **rate being measured**.

**Key**

- | | | | |
|---|-----------------------|---|-------------------------------------------------|
| 1 | discharge chamber | 5 | nozzle |
| 2 | exhaust fan | 6 | receiving chamber |
| 3 | diffusion baffle | 7 | apparatus for differential pressure measurement |
| 4 | Pitot tube (optional) | 8 | adapter duct (see B.5.1) |
- a Diffusion baffles should have uniform perforations, with approximately 40 % of free area
 b Airflow.

Figure B.1 — Airflow measuring apparatus

The centre-to-centre distance between nozzles in use should not be less than 3 times the throat diameter of the larger nozzle and the distance from the centre of any nozzle to the nearest discharge or receiving chamber side wall should not be less than 1,5 times its throat diameter.

B.3.2 Diffusers, installed in the receiving chamber (at a distance at least 1,5 times the largest nozzle throat diameter, D_n) upstream of the partition wall and in the discharge chamber (at a distance at least 2,5 times the largest nozzle throat diameter, D_n) downstream of the exit plane of the largest nozzle.

B.3.3 Exhaust fan, capable of providing the desired static pressure at the equipment's outlet, installed in one wall of the discharge chamber and provided with a means of varying its capacity.

B.3.4 Manometers, for measuring the static pressure drop across the nozzle(s). One end of the manometer should be connected to a static pressure tap located flush with the inner wall of the receiving chamber and the other end to a static pressure tap located flush with the inner wall of the discharge chamber, or preferably, several taps in each chamber should be connected to several manometers in parallel or manifolded to a single manometer. Static pressure connections should be located so as not to be affected by airflow. Alternatively, the velocity head of the air stream leaving the nozzle(s) may be

measured by a Pitot tube as shown in [Figure B.1](#), but when more than one nozzle is in use, the Pitot tube reading should be determined for each nozzle.

B.3.5 Means of determining the air velocity at the nozzle throat.

B.3.5.1 The throat velocity of any nozzle in use should be not less than 15 m/s or more than 35 m/s.

B.3.5.2 Nozzles should be constructed in accordance with [Figure B.2](#) and applied in accordance with the provisions of [B.3.5.3](#) and [B.3.5.4](#).

B.3.5.3 The nozzle discharge coefficient, C_d , for the construction shown in [Figure B.2](#), which has a throat length to throat diameter ratio of 0,6, may be determined using [Formula \(B.1\)](#).

$$C_d = 0,9986 - \frac{7,006}{\sqrt{Re}} + \frac{134,6}{Re} \quad (\text{B.1})$$

for Reynolds numbers, Re , of 12 000 and above.

The Reynolds number is defined as [Formula \(B.2\)](#).

$$Re = \frac{v_a D_n}{\nu} \quad (\text{B.2})$$

where

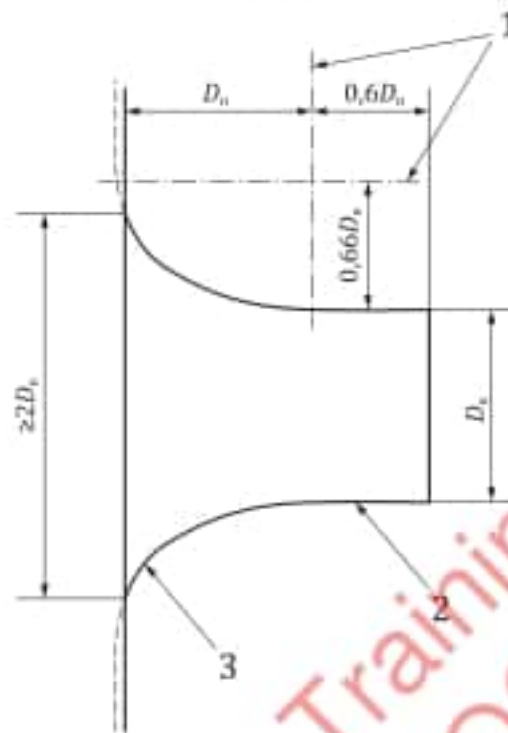
v_a is the mean airflow velocity at the throat of the nozzle;

D_n is the diameter of the throat of the nozzle;

ν is the kinematic viscosity of air.

Only For Research & Training Purpose
Not For Sale, PSQCA (C)

B.3.5.4 Nozzles may also be constructed in accordance with appropriate national standards, provided they can be used in the apparatus described in [Figure B.1](#) and result in equivalent accuracy.



Key

- 1 axes of ellipse
- 2 throat section
- 3 elliptical approach
- D_n diameter of nozzle throat, in m

Figure B.2 — Airflow measuring nozzle

B.4 Static pressure measurements

B.4.1 The pressure taps should consist of $(6,25 \pm 0,25)$ mm diameter nipples soldered to the outer plenum surfaces and centred over 1 mm diameter holes through the plenum. The edges of these holes should be free of burrs and other surface irregularities.

B.4.2 The plenum and duct section should be sealed to prevent air leakage, particularly at the connections to the equipment and the air measuring device, and should be insulated to prevent heat leakage between the equipment outlet and the temperature measuring instruments.

B.5 Discharge airflow measurements

B.5.1 The outlet or outlets of the equipment under test should be connected to the receiving chamber by adaptor ducting of negligible air resistance, as shown in [Figure B.1](#).

B.5.2 To establish zero static pressure with respect to the test room at the discharge of the air conditioner or heat pump in the receiving chamber, a manometer should have one side connected to one or more static pressure connections located flush with the inner wall of the receiving chamber.

B.6 Indoor-side airflow measurements

B.6.1 The following readings should be taken:

- barometric pressure;
- nozzle dry- and wet-bulb temperatures or dewpoint temperatures;
- static pressure difference at the nozzle(s) or optionally, nozzle velocity pressure;

B.6.2 Air mass flow rate, q_m , through a single nozzle is determined using [Formula \(B.3\)](#).

$$q_m = Y \times C_d \times A_n \sqrt{\frac{2p_v}{\rho'_n}} \quad (\text{B.3})$$

where A_n is the area of the nozzle throat, in square metres (m^2).

The expansion factor, Y , is obtained from [Formula \(B.4\)](#):

$$Y = 0,452 + 0,548\alpha \quad (\text{B.4})$$

The pressure ratio, α , is obtained from [Formula \(B.5\)](#):

$$\alpha = 1 - \frac{p_v}{p_n} \quad (\text{B.5})$$

Air volume flow rate, q_v , through a single nozzle is determined using [Formula \(B.6\)](#).

$$q_v = Y \times C_d \times A_n \sqrt{2p_v V'_n} \quad (\text{B.6})$$

where V'_n is calculated using [Formula \(B.7\)](#):

$$V'_n = \frac{v_n}{1 + W_n} \quad (\text{B.7})$$

and W_n is the specific humidity at the nozzle inlet.

Air volume flow rate expressed in terms of standard air q_s is calculated by [Formula \(B.8\)](#)

$$q_s = \frac{q_v}{1,204 V'_n} \quad (\text{B.8})$$

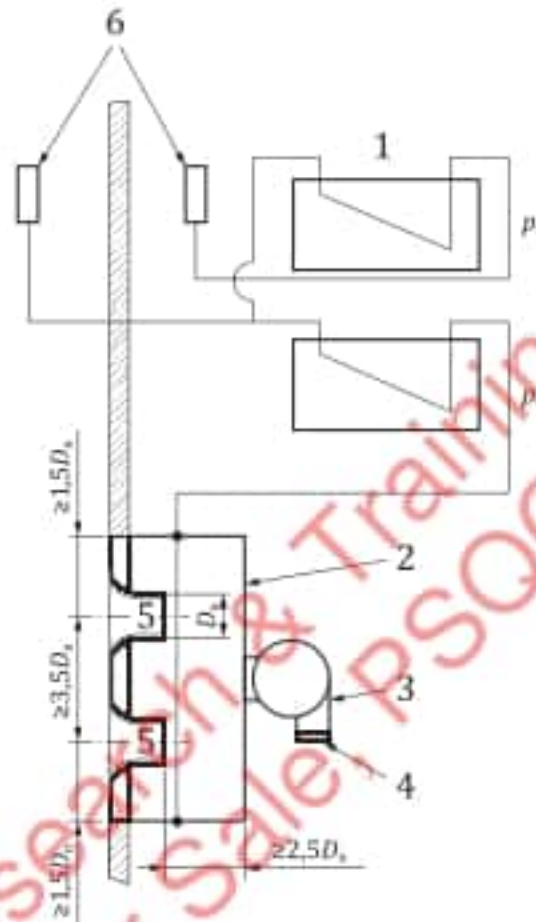
B.6.3 Airflow through multiple nozzles may be calculated in accordance with [B.6.2](#), except that the total flow rate is then the sum of the q_m or q_v values for each nozzle used.

B.7 Ventilation, exhaust and leakage airflow measurements — Calorimeter test method

B.7.1 Ventilation, exhaust and leakage airflows should be measured using apparatus similar to that illustrated in [Figure B.3](#) with the refrigeration system in operation and after condensate equilibrium has been obtained.

B.7.2 With the equalizing device adjusted for a maximum static pressure differential between the indoor-side and outdoor-side test chambers of 1 Pa, the following readings should be taken:

- barometric pressure;
- nozzle wet- and dry-bulb temperatures;
- nozzle velocity pressure.



Key

- | | | | |
|-------|------------------------------------|---|--------------|
| 1 | pressure manometers | 4 | damper |
| 2 | discharge chamber | 5 | nozzle |
| 3 | exhaust fan | 6 | pick-up tube |
| p_c | test chamber equalization pressure | | |
| p_v | nozzle velocity pressure | | |

Figure B.3 — Pressure-equalizing device

B.7.3 Airflow values should be calculated in accordance with [B.6.2](#).

Annex C (normative)

Calorimeter test method

C.1 General

C.1.1 The calorimeter provides a method for determining capacity simultaneously on both the indoor-side and the outdoor-side. In the cooling mode, the indoor-side capacity determination should be made by balancing the cooling and dehumidifying effects with measured heat and water inputs. The outdoor-side capacity provides a confirmative test of the cooling and dehumidifying effects by balancing the heat and water rejection on the condenser side with a measured amount of cooling.

C.1.2 The two calorimeter test chambers, indoor-side and outdoor-side, are separated by an insulated partition having an opening into which the non-ducted, single-packaged equipment is mounted. The equipment should be installed in a manner similar to a normal installation. No effort should be made to seal the internal construction of the equipment to prevent air leakage from the condenser side to the evaporator side or vice versa. No connections or alterations should be made to the equipment which might in any way alter its normal operation.

C.1.3 A pressure-equalizing device, as illustrated in Figure B.3, should be provided in the partition wall between the indoor-side and the outdoor-side test chambers to maintain a balanced pressure between these test chambers and also to permit measurement of leakage, exhaust and ventilation air. This device consists of one or more nozzles of the type shown in Figure B.2, a discharge chamber equipped with an exhaust fan and manometers for measuring test chamber and airflow pressures.

Since the airflow from one test chamber to the other may be in either direction, two such devices mounted in opposite directions or a reversible device should be used. The manometer pressure pickup tubes should be located so as to be unaffected by air discharged from the equipment or by the exhaust from the pressure-equalizing device. The fan or blower, which exhausts air from the discharge chamber, should permit variation of its airflow by any suitable means, such as a variable speed drive or a damper as shown in Figure B.3. The exhaust from this fan or blower should be such that it does not affect the inlet air to the equipment.

The pressure equalizing device should be adjusted during calorimeter tests or airflow measurements so that the static pressure difference between the indoor-side and outdoor-side test chambers is not greater than 1,25 Pa.

C.1.4 The size of the calorimeter should be sufficient to avoid any restriction to the intake or discharge openings of the equipment. Perforated plates or other suitable grilles should be provided at the discharge opening from the reconditioning equipment to avoid face velocities exceeding 0,5 m/s. Sufficient space should be allowed in front of any inlet or discharge grilles of the equipment to avoid interference with the airflow. Minimum distance from the equipment to side walls or ceiling of the test chamber(s) should be 1 m, except for the back of console-type equipment, which should be in normal relation to the wall. Ceiling-mounted equipment should be installed at a minimum distance of 1,8 m from the floor. Table C.1

gives the suggested dimensions for the calorimeter. To accommodate peculiar sizes of equipment, it may be necessary to alter the suggested dimensions to comply with the space requirements.

Table C.1 — Sizes of calorimeter

Rated cooling capacity of equipment ^a W	Suggested minimum inside dimensions of each room of the calorimeter		
	m		
	Width	Height	Length
3 000	2,4	2,1	1,8
6 000	2,4	2,1	2,4
9 000	2,7	2,4	3,0
12 000 ^b	3,0	2,4	3,7

^a All figures are round numbers.

^b Larger capacity equipment requires larger calorimeters.

C.1.5 Each test chamber should be provided with reconditioning equipment to maintain specified airflow and prescribed conditions. Reconditioning apparatus for the indoor-side test chamber should consist of heaters to supply sensible heat and a humidifier to supply moisture. Reconditioning apparatus for the outdoor-side test chamber should provide cooling, dehumidification and humidification. The energy supply should be controlled and measured.

C.1.6 When calorimeters are used for heat pumps, they should have heating, humidifying and cooling capabilities for both rooms (see Figures C.1 and C.2) or other means, such as rotating the equipment, may be used as long as the rating conditions are maintained.

C.1.7 Reconditioning apparatus for both test chambers should be provided with fans of sufficient capacity to ensure airflows of not less than twice the quantity of air discharged by the equipment under test in the calorimeter. The calorimeter should be equipped with means of measuring or determining specified wet- and dry-bulb temperatures in both calorimeter test chambers.

C.1.8 It is recognized that in both the indoor-side and outdoor-side test chambers, temperature gradients and airflow patterns result from the interaction of the reconditioning apparatus and test equipment. Therefore, the resultant conditions are peculiar to and dependent on a given combination of test chamber size, arrangement and size of reconditioning apparatus and the air discharge characteristics of the equipment under test.

The point of measurement of specified test temperatures, both wet- and dry-bulb, should be such that the following conditions are fulfilled:

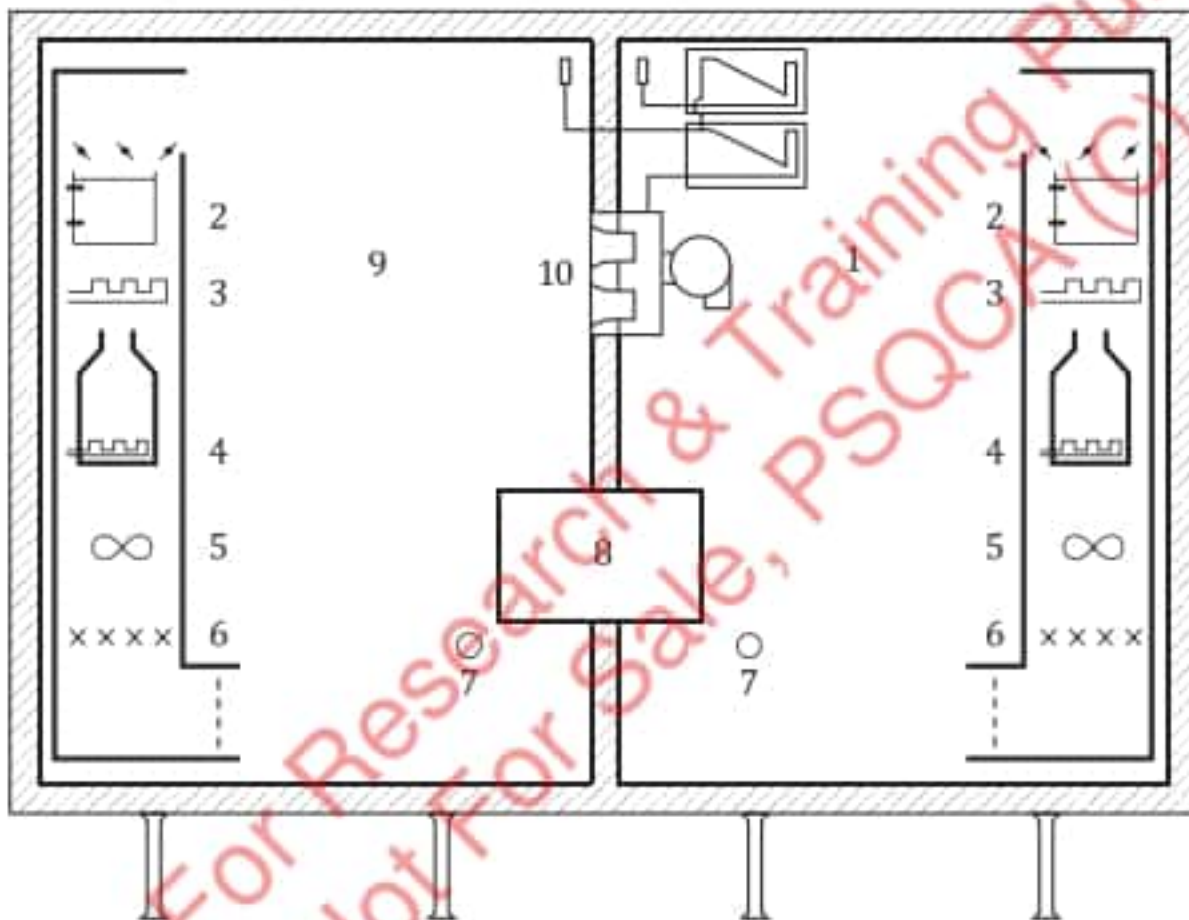
- The measured temperatures should be representative of the temperature surrounding the equipment and should simulate the conditions encountered in an actual application for both indoor and outdoor-sides, as indicated above.
- At the point of measurement, the temperature of air should not be affected by air discharged from any piece of the equipment. This makes it mandatory that the temperatures are measured upstream of any re-circulation produced by the equipment.
- Air sampling tubes should be positioned on the intake side of the equipment under test.
- When testing multi-split air conditioners and heat pumps, the dry-bulb temperature of air entering all indoor units or an outdoor unit shall be within 0,5 K of the average.

C.1.9 During a heating capacity test, the temperature of the air leaving the indoor-side of the heat pump shall be monitored to determine if its heating performance is being affected by a build-up of ice on the outdoor-side heat exchanger. A single temperature measuring device, placed at the centre of the

indoor air outlet, is sufficient to indicate any change in the indoor air discharge temperature caused by a build-up of ice on the outdoor-side heat exchanger.

C.1.10 Interior surfaces of the calorimeter test chambers should be of non-porous material with all joints sealed against air and moisture leakage. The access door should be tightly sealed against air and moisture leakage by use of gaskets or other suitable means.

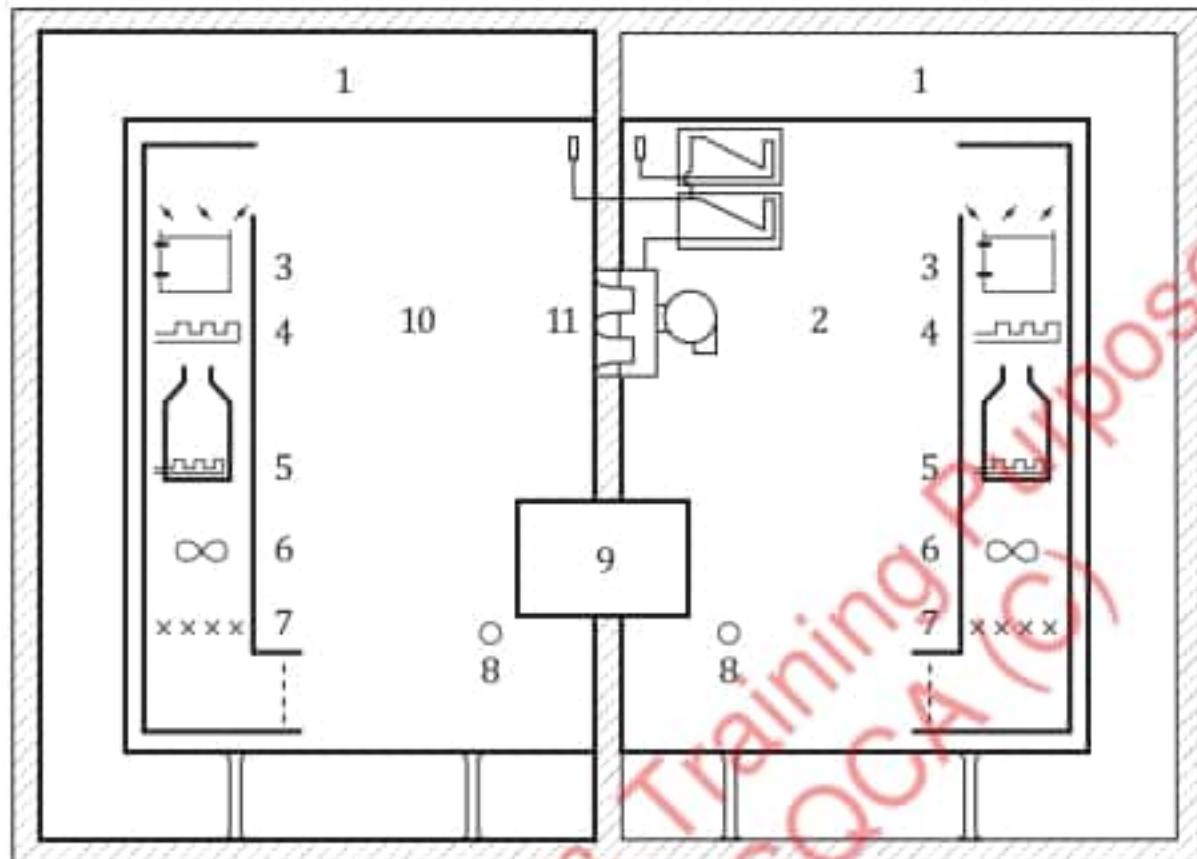
C.1.11 If defrost controls on the heat pump provide for stopping the indoor airflow, provisions shall be made to stop the test apparatus airflow to the equipment on both the indoor and outdoor-sides during such a defrost period. If it is desirable to maintain operation of the reconditioning apparatus during the defrost period, provisions may be made to bypass the conditioned air around the equipment as long as assurance is provided that the conditioned air does not aid in the defrosting. A watt-hour meter shall be used for obtaining the integrated electrical input to the equipment under test.



Key

- | | |
|-----------------------------|---------------------------------|
| 1 outdoor-side test chamber | 6 mixer |
| 2 cooling coil | 7 air sampling tube |
| 3 heating coil | 8 equipment under test |
| 4 humidifier | 9 indoor-side test chamber |
| 5 fan | 10 pressure equalization device |

Figure C.1 — Typical calibrated room-type calorimeter

**Key**

- | | | | |
|---|----------------------------------|----|------------------------------|
| 1 | controlled-temperature air space | 7 | mixer |
| 2 | outdoor-side test chamber | 8 | air sampling tube |
| 3 | cooling coil | 9 | equipment under test |
| 4 | heating coil | 10 | indoor-side test chamber |
| 5 | humidifier | 11 | pressure equalization device |
| 6 | fan | | |

Figure C.2 — Typical balanced ambient room-type calorimeter

C.2 Calibrated room-type calorimeter

C.2.1 Heat leakage may be determined in either the indoor-side or outdoor-side test chamber by the following method: All openings should be closed. Either test chamber may be heated by electric heaters to a temperature of at least 11 °C above the surrounding ambient temperature. The ambient temperature should be maintained constant within ± 1 K outside all six enveloping surfaces of the test chamber, including the separating partition. If the construction of the partition is identical to that of the other walls, the heat leakage through the partition may be determined on a proportional area basis.

C.2.2 For calibrating the heat leakage through the separating partition alone, the following procedure may be used: a test is carried out as described above. Then the temperature of the adjoining area on the other side of the separating partition is raised to equal the temperature in the heated test chamber, thus

eliminating heat leakage through the partition, while the 11 °C differential is maintained between the heated test chamber and the ambient surrounding the other five enveloping surfaces.

The difference in heat input between the first test and the second test permits determination of the leakage through the partition alone.

C.2.3 For the outdoor-side test chamber equipped with means of cooling, an alternative means of calibration may be to cool the test chamber to a temperature of at least 11 °C below the ambient temperature (on six sides) and carry out a similar analysis.

C.2.4 In addition to the two-room simultaneous method of determining capacities, the performance of the indoor room-side test chamber may be verified at least every six months using an industry standard cooling capacity calibrating device. A calibrating device may also be another piece of equipment whose performance has been measured by the simultaneous indoor and outdoor measurement method at an accredited national test laboratory as part of an industry-wide cooling capacity verification programme.

The indoor-side calorimeter including the central partition and the outdoor-side calorimeter shall be insulated so that heat leakage (including radiation) does not exceed 5 % of the equipment capacity. Space where enough air circulation is available shall be secured under the floor of the room-type calorimeter.

C.3 Balanced ambient room-type calorimeter

C.3.1 The balanced ambient room-type calorimeter is shown in [Figure C.2](#) and is based on the principle of maintaining the dry-bulb temperatures surrounding the particular test chamber equal to the dry-bulb temperatures maintained within that test chamber. If the ambient wet-bulb temperature is also maintained equal to that within the test chamber, the vapour-proofing provisions of [C.1.10](#) are not required.

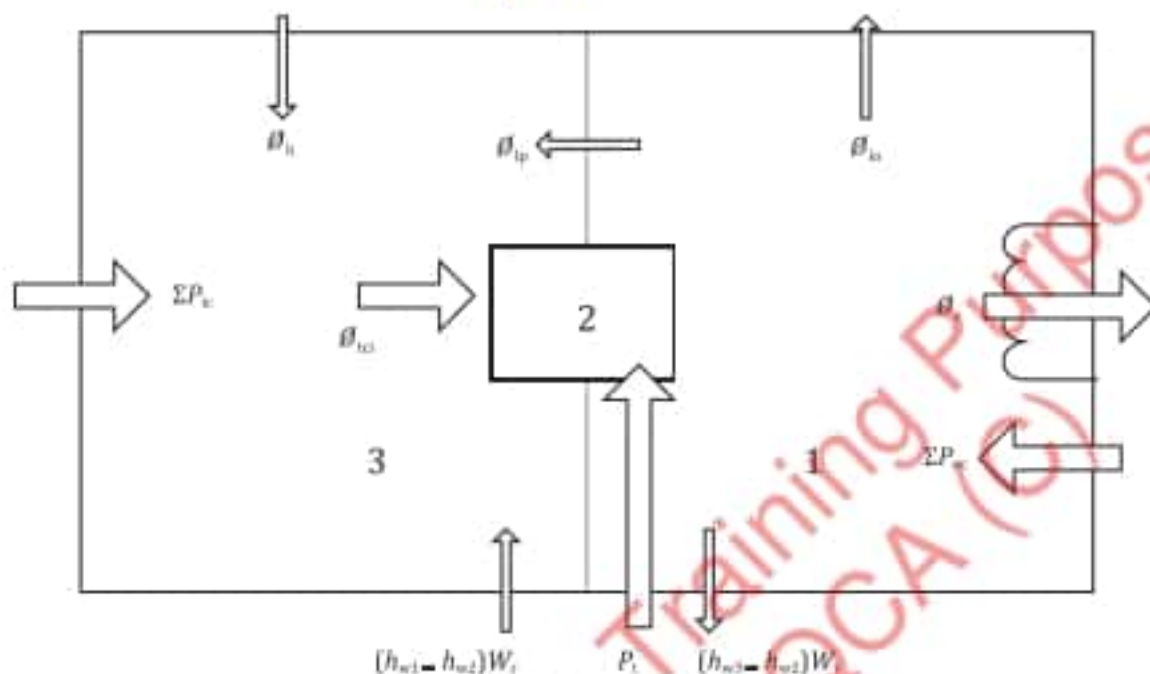
C.3.2 The floor, ceiling and walls of the calorimeter test chambers shall be spaced a sufficient distance away from the floor, ceiling and walls of the controlled areas in which the test chambers are located in order to provide a uniform air temperature in the intervening space. It is recommended that this distance be at least 0,3 m. Means shall be provided to circulate the air within the surrounding space to prevent stratification.

C.3.3 Heat leakage through the separating partition shall be introduced into the heat balance calculation and may be calibrated in accordance with [C.3.4](#) or may be calculated.

C.3.4 It is recommended that the floor, ceiling and walls of the calorimeter test chambers be insulated so as to limit heat leakage (including radiation) to no more than 10 % of the test equipment's capacity, with an 11 °C temperature difference, or 300 W for the same temperature difference, whichever is the greater, as tested using the procedure given in [C.2.2](#).

C.4 Calculation of cooling capacity

C.4.1 The energy flow quantities used to calculate the total cooling capacity, based on indoor-side and outdoor-side measurements, are shown in [Figure C.3](#).



Key

- 1 outdoor-side test chamber
- 2 equipment under test
- 3 indoor-side test chamber

NOTE Values for the variables identified in the figure are calculated using [Formulae \(C.1\) to \(C.6\)](#).

Figure C.3 — Calorimeter energy flows during cooling capacity tests

C.4.2 The total cooling capacity on the indoor-side, ϕ_{tcl} , as tested in either the calibrated or balanced ambient, room-type calorimeter (see [Figures C.1](#) and [C.2](#)), is calculated using [Formula \(C.1\)](#).

$$\phi_{\text{tcl}} = \Sigma P_{\text{ic}} + (h_{w1} - h_{w2})W_r + \phi_{\text{lp}} + \phi_{\text{li}} \quad (\text{C.1})$$

NOTE If no water is introduced during the test, h_{w1} is taken at the temperature of the water in the humidifier tank of the conditioning apparatus.

When a cooling coil of the indoor-side calorimeter is used for testing of small capacity units, in order to stabilize the test condition, [Formula \(C.2\)](#) shall be used and requirements for uncertainties of measurements specified in [7.2.2](#) shall be satisfied. ϕ_{cl} in [Formula \(C.2\)](#) is the amount of heat exchanged in the cooling coil of the indoor-side calorimeter.

$$\phi_{\text{tcl}} = \Sigma P_{\text{ic}} + (h_{w1} - h_{w2})W_r + \phi_{\text{lp}} + \phi_{\text{li}} - \phi_{\text{cl}} \quad (\text{C.2})$$

C.4.3 When it is not practical to measure the temperature of the air leaving the indoor-side test chamber to the outdoor-side test chamber, the temperature of the condensate may be assumed to be at the measured or estimated wet-bulb temperature of the air leaving the test equipment.

C.4.4 The water vapour condensed by the equipment under test, W_r , may be determined by the amount of water evaporated into the indoor-side test chamber by the reconditioning equipment to maintain the required humidity.

C.4.5 Heat leakage, ϕ_{lp} , into the indoor-side test chamber through the separating partition between the indoor-side and outdoor-side test chambers may be determined from the calibrating test or, in the case of the balanced-ambient room-type test chamber, may be based on calculations.

C.4.6 The total cooling capacity on the outdoor-side, ϕ_{tco} , as tested in either the calibrated or balanced-ambient, room-type calorimeter (see [Figures C.1](#) and [C.2](#)) is calculated using [Formula \(C.3\)](#).

$$\phi_{tco} = \phi_c - \Sigma P_{oc} - P_t + (h_{w3} - h_{w2})W_r + \phi_{lp} + \phi_{lo} \quad (\text{C.3})$$

NOTE The h_{w3} enthalpy is taken at the temperature at which the condensate leaves the outdoor-side test chamber of the reconditioning apparatus.

C.4.7 The heat leakage rate into the indoor-side test chamber through the separating partition between the indoor-side and outdoor-side test chambers, ϕ_{lp} , may be determined from the calibrating test or, in the case of the balanced-ambient room-type test chamber, may be based on calculations.

NOTE This quantity is numerically equal to that used in [Formula C.1](#) if, and only if, the area of the separating partition exposed to the outdoor-side is equal to the area exposed to the indoor-side test chamber.

C.4.8 The latent cooling capacity (room dehumidifying capacity), ϕ_d , is calculated using [Formula \(C.4\)](#).

$$\phi_d = K_t W_r \quad (\text{C.4})$$

C.4.9 The sensible cooling capacity, ϕ_{sci} , is calculated using [Formula \(C.5\)](#).

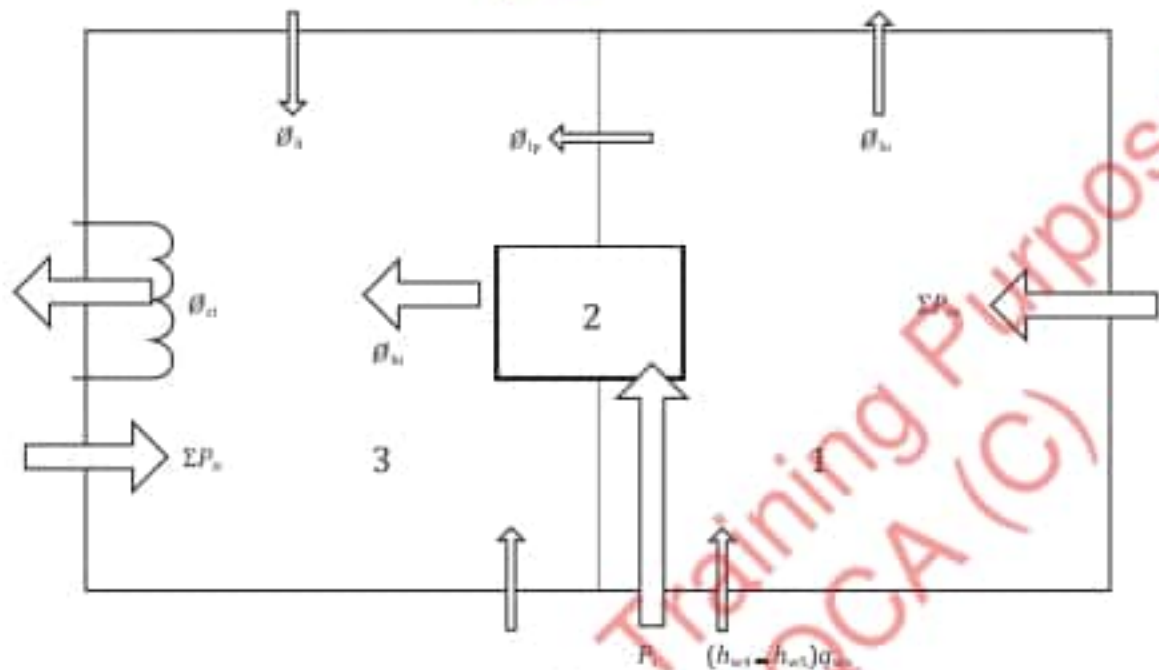
$$\phi_{sci} = \phi_{tci} - \phi_d \quad (\text{C.5})$$

C.4.10 Sensible heat ratio (SHR) is calculated using [Formula \(C.6\)](#).

$$\text{SHR} = \phi_{sci} / \phi_{tci} \quad (\text{C.6})$$

C.5 Calculation of heating capacity

C.5.1 The energy flow quantities used to calculate the total heating capacity, based on indoor-side and outdoor-side measurements, are shown in [Figure C.4](#).



Key

- 1 outdoor-side test chamber
- 2 equipment under test
- 3 indoor-side test chamber

NOTE Values for the variables identified in this figure are calculated using [Formulae \(C.7\)](#) and [\(C.8\)](#).

Figure C.4 — Calorimeter energy flows during heating capacity tests

C.5.2 Determination of the heating capacity by measurement in the indoor-side test chamber of the calorimeter, ϕ_{hi} , is calculated using [Formula \(C.7\)](#).

$$\phi_{hi} = \phi_{ci} - \Sigma P_{ic} - \phi_{ip} - \phi_{lo} \quad (C.7)$$

NOTE ΣP_{ic} is the other power input to the indoor-side test chamber (e.g. illumination, electrical and thermal power input to the compensating device, heat balance of the humidification device), in watts.

C.5.3 Determination of the heating capacity by measurement of the heat absorbing side, ϕ_{ho} , is calculated for equipment where the evaporator takes the heat from an airflow using [Formula \(C.8\)](#).

$$\phi_{ho} = \Sigma P_{oc} + P_t + (h_{w4} - h_{w5})q_{w0} - \phi_{ip} - \phi_{lo} \quad (C.8)$$

Annex D (normative)

Indoor air enthalpy test method

D.1 General

In the air enthalpy test method, capacities are determined from measurements of entering and leaving wet- and dry-bulb temperatures and the associated airflow rate.

D.2 Application

D.2.1 Air leaving the equipment under the test shall lead directly to the discharge chamber. If a direct connection cannot be made between the equipment and the discharge chamber, a short plenum shall be attached to the equipment. In this case, the short plenum shall have the same size as the discharge opening of the equipment or shall be constructed so as not to prevent the leaving air from expanding. The cross-section area of the airflow channel through the discharge chamber shall be such that the average air velocity is less than 1,25 m/s against the airflow rate of the equipment under test. The static pressure difference between the discharge chamber and intake opening of the equipment under test shall be zero. An example of the discharge chamber test set-up is shown in [Figure D.1](#).

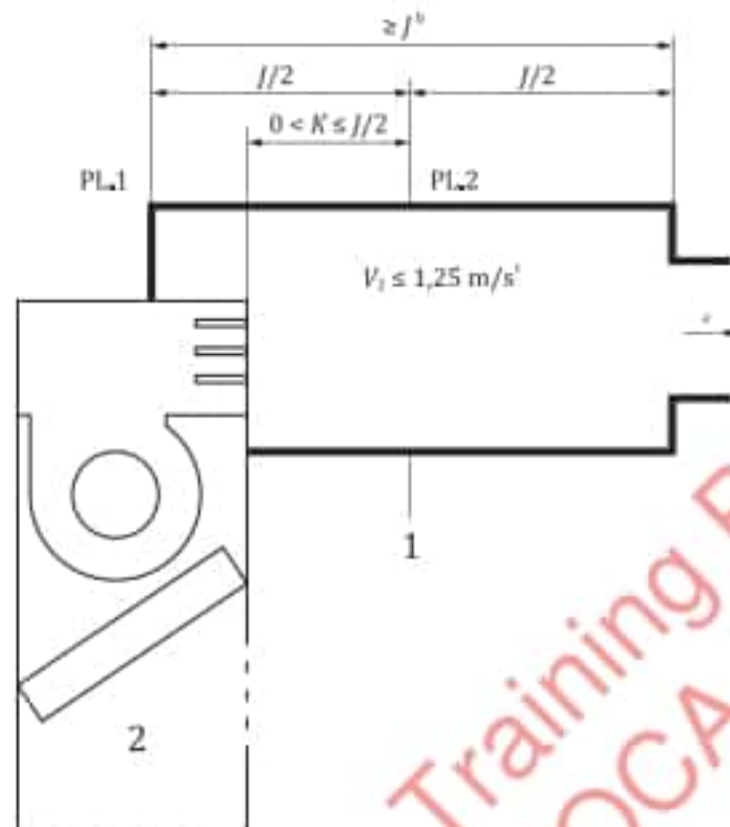
D.2.2 Airflow measurements shall be made in accordance with the provisions specified in [Annex B](#).

NOTE Additional guidance can be found in ISO 3966 and ISO 5167-1, as appropriate and in the provisions of this annex.

D.2.3 When conducting cooling or steady-state heating capacity tests using the indoor air enthalpy test method, the additional test tolerances given in [Table D.1](#) shall apply.

Table D.1 — Variations allowed during steady-state cooling and heating capacity tests that only apply when using the indoor air enthalpy method

Reading	Variation of arithmetical mean values from specified test conditions		Variation of individual readings from specified test conditions	
	≤100 Pa	>100 Pa	≤100 Pa	>100 Pa
External static pressure (ESP)	±0,5 Pa	±5 %	±0,10 Pa	±10 %

**Key**

- 1 static pressure tapings
 - 2 equipment under test
 - 3 damper for fixed-duct resistance method
 - 4 external static pressure
- ^a To air sampler and airflow measuring apparatus.
- ^b $J = 2D_e$ where $D_e = \sqrt{4AB/\pi}$ and A and B are the dimensions of the equipment's air outlet.
- ^c V_2 is the average air velocity at PL.2.

Figure D.1 — Discharge chamber requirements when using the indoor air enthalpy test method

D.2.4 When conducting transient heating capacity tests using the indoor air enthalpy test method, the additional test tolerances given in [Table D.2](#) shall apply.

When testing multi-split air conditioners and heat pumps, the dry-bulb temperature of air entering all indoor units or an outdoor unit shall be uniform within 0,5 K of the average.

Table D.2 — Variations allowed during the transient heating tests that only apply when using the indoor air enthalpy test method

Reading	Variation of arithmetical mean values from specified test conditions		Variation of individual readings from specified test conditions	
	Interval H ^a	Interval D ^b	Interval H ^a	Interval D ^b
External resistance to airflow	±5 Pa	—	±5 Pa	—

NOTE For transient heating tests, see 6.1.11.

^a Applies when the heat pump is in the heating mode, except for the first 10 min after termination of a defrost cycle.

^b Applies during a defrost cycle and during the first 10 min after the termination of a defrost cycle when the heat pump is operating in the heating mode.

D.3 Calculation of cooling capacity

The total cooling capacity based on the indoor-side test data, ϕ_{tci} , shall be calculated using [Formula \(D.1\)](#).

$$\phi_{tci} = \frac{q_{vi} (h_{a1} - h_{a2})}{v_n} = \frac{q_{vi} (h_{a1} - h_{a2})}{v'_n (1 + W_n)} \quad (D.1)$$

The sensible cooling capacity based on the indoor-side test data, ϕ_{sci} , shall be calculated using [Formula \(D.2\)](#).

$$\phi_{sci} = \frac{q_{vi} (c_{pa1} t_{a1} - c_{pa2} t_{a2})}{v_n} = \frac{q_{vi} (c_{pa1} t_{a1} - c_{pa2} t_{a2})}{v'_n (1 + W_n)} \quad (D.2)$$

The latent cooling capacity based on the indoor-side test data, ϕ_d , shall be calculated using [Formulae \(D.3\) and \(D.4\)](#).

$$\phi_d = \frac{K_1 q_{vi} (W_{i1} - W_{i2})}{v_n} = \frac{K_1 q_{vi} (W_{i1} - W_{i2})}{v'_n (1 + W_n)} \quad (D.3)$$

$$\phi_d = \phi_{tci} - \phi_{sci} \quad (D.4)$$

D.4 Calculation of heating capacity

Total heating capacity based on indoor-side data, ϕ_{thi} , shall be calculated using [Formula \(D.5\)](#).

$$\phi_{thi} = \frac{q_{vi} (c_{pa2} t_{a2} - c_{pa1} t_{a1})}{v_n} = \frac{q_{vi} (c_{pa2} t_{a2} - c_{pa1} t_{a1})}{v'_n (1 + W_n)} \quad (D.5)$$

NOTE 1 c_{pa1} can be equal to c_{pa2} .

NOTE 2 [Formulae \(D.1\), \(D.2\), \(D.3\) and \(D.5\)](#) do not provide allowance for heat leakage in the test duct and the discharge chamber. It is recommended to include correction for heat loss from receiving chamber and/or connecting ducts.

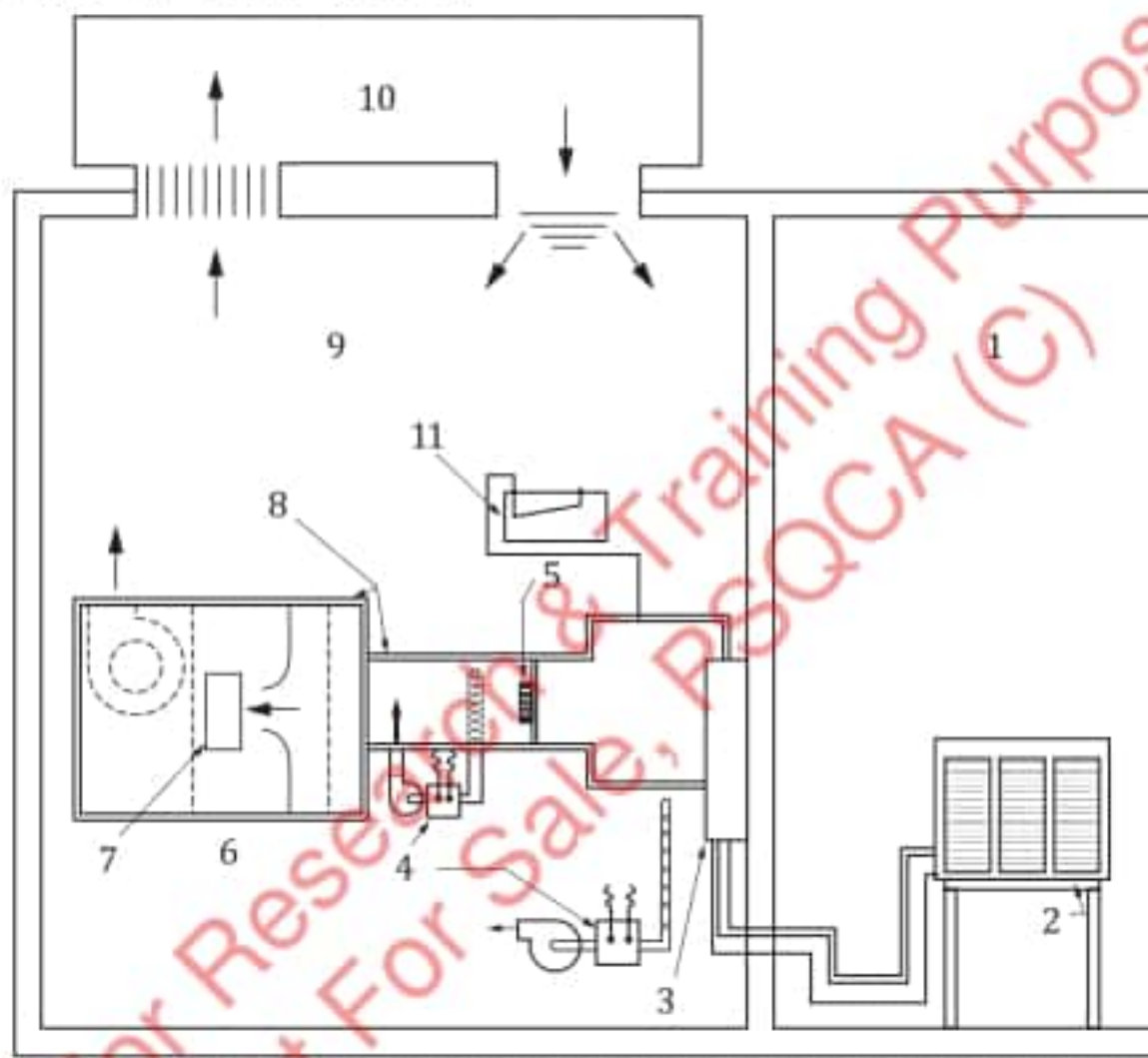
D.5 Airflow enthalpy measurements

D.5.1 General

The following test apparatus arrangements specified in [D.5.2](#) to [D.5.4](#) are recommended.

D.5.2 Tunnel air enthalpy method

The equipment to be tested is typically located in a test room or rooms. An air measuring device is attached to the equipment air discharge (indoor, outdoor or both, as applicable). This device discharges directly into the test room or space, which is provided with suitable means for maintaining the air entering the equipment at the desired wet- and dry-bulb temperatures (see Figure D.2). Suitable means for measuring the wet- and dry-bulb temperatures of the air entering and leaving the equipment and the external resistance shall be provided.



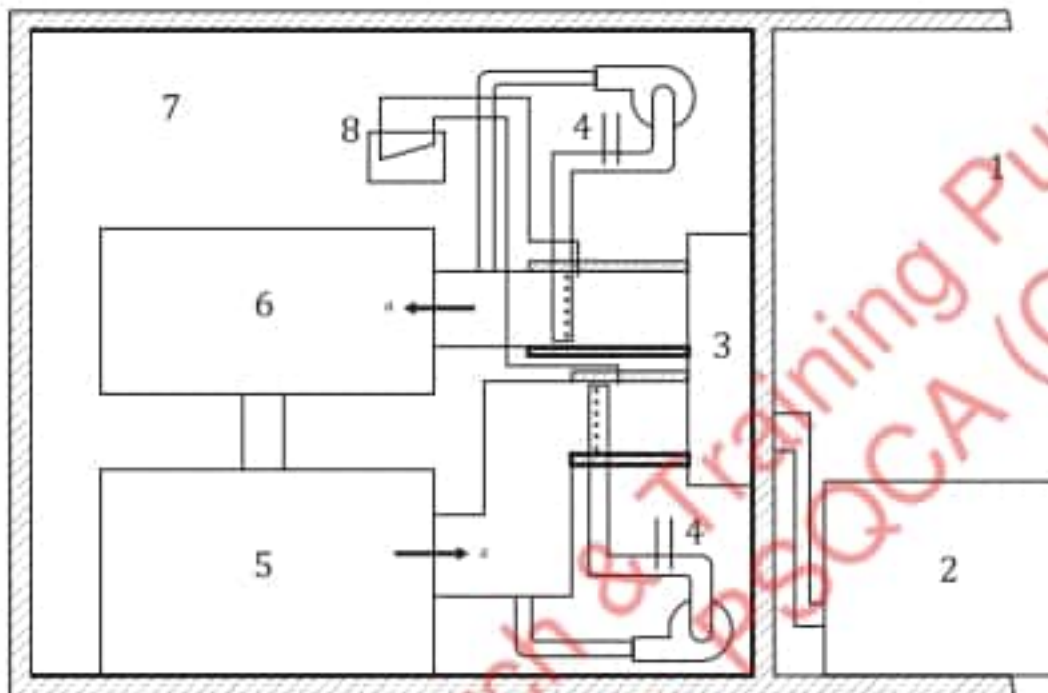
Key

- | | | | |
|---|----------------------------------------------------|----|-------------------------------------------------|
| 1 | outdoor-side test room | 7 | door/window |
| 2 | outdoor unit of equipment under test | 8 | insulation |
| 3 | indoor-side coil section of equipment under test | 9 | indoor-side test room |
| 4 | air temperature and humidity measuring instruments | 10 | room conditioning apparatus |
| 5 | mixer | 11 | apparatus for differential pressure measurement |
| 6 | airflow measuring apparatus | | |

Figure D.2 — Tunnel air enthalpy test method arrangement

D.5.3 Loop air enthalpy method

This arrangement differs from the tunnel arrangement in that the air measuring device discharge is connected to suitable reconditioning equipment which is, in turn, connected to the equipment inlet (see [Figure D.3](#)). The resulting test "loop" shall be sealed so that air leakage at places that would influence capacity measurements does not exceed 1,0 % of the test airflow rate. The dry-bulb temperature of the air surrounding the equipment shall be maintained at within $\pm 3,0$ K of the desired test inlet dry-bulb temperature. Wet- and dry-bulb temperatures and external resistance shall be measured by suitable means.



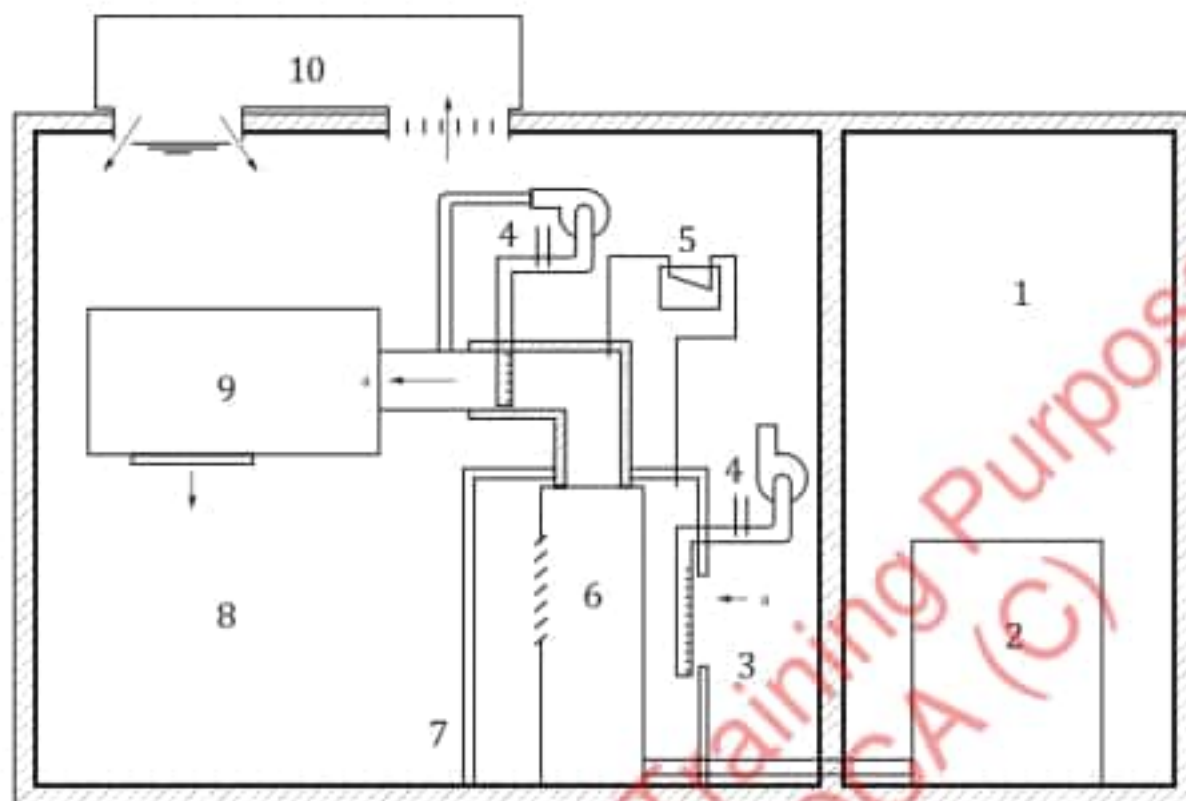
Key

- | | |
|--------------------------------------------------|---------------------------------------------------|
| 1 outdoor-side test room | 5 reconditioning apparatus |
| 2 outdoor unit of equipment under test | 6 air flow measuring apparatus |
| 3 indoor unit of equipment under test | 7 indoor-side test room |
| 4 temperature and humidity measuring instruments | 8 apparatus for differential pressure measurement |
| ↔ Airflow. | |

Figure D.3 — Loop air enthalpy test method arrangement

D.5.4 Calorimeter air enthalpy method

For equipment in which the compressor is ventilated independently of the indoor air stream, the calorimeter air enthalpy method arrangement shall be employed to take into account compressor heat radiation (see [Figure D.4](#)). In this arrangement, an enclosure is placed over the equipment, or applicable part of the equipment, under test. This enclosure may be constructed of any suitable material, but shall be non-hygroscopic, shall be airtight and preferably insulated. It shall be large enough to permit inlet air to circulate freely between the equipment and the enclosures and in no case shall the enclosure be closer than 150 mm to any part of the equipment. The inlet to the enclosure shall be remotely located from the equipment's inlet so as to cause circulation throughout the entire enclosed space. An air measuring device is to be connected to the equipment's discharge. This device shall be well insulated where it passes through the enclosed space. Wet- and dry-bulb temperatures of the air entering the equipment are to be measured at the enclosure inlet. Temperature and external resistance measurements shall be carried out by suitable means.

**Key**

- | | | | |
|---|----------------------------------------------------|----|--------------------------------------------------|
| 1 | outdoor-side test room | 6 | indoor-side coil section of equipment under test |
| 2 | outdoor unit of equipment under test | 7 | enclosure |
| 3 | air inlet | 8 | indoor-side test room |
| 4 | air temperature and humidity measuring instruments | 9 | airflow measuring apparatus |
| 5 | apparatus for differential pressure measurement | 10 | room conditioning apparatus |
| • | Airflow. | | |

Figure D.4 — Calorimeter air enthalpy test method arrangement

Annex E (informative)

Refrigerant enthalpy test method

E.1 General description

E.1.1 In the refrigerant enthalpy test method, capacity is determined from the refrigerant enthalpy change and flow-rate. Enthalpy changes are determined from measurements of entering and leaving pressures and temperatures of the refrigerant, and the flow-rate is determined by a suitable flow meter in the liquid line.

E.1.2 This method may be used for tests of equipment in which the refrigerant charge is not critical and where normal installation procedures involve the field connection of refrigerant lines.

E.1.3 This method should neither be used for tests in which the refrigerant liquid leaving the flow meter is sub-cooled to less than 2,0 °C nor for tests in which the superheat of the vapour leaving the indoor-side is less than 3,0 °C.

E.1.4 Cooling and heating capacities obtained by the refrigerant enthalpy method should include the thermal effects of the fan.

E.2 Refrigerant flow method

E.2.1 The refrigerant flow-rate should be measured with an integrating-type flow meter connected in the liquid line upstream of the refrigerant control device. This meter should be sized such that its pressure drop does not exceed the vapour pressure change that a 2,0 °C temperature change would produce.

E.2.2 Temperature and pressure measuring instruments and a sight glass should be installed immediately downstream of the meter to determine if the refrigerant liquid is adequately subcooled. Subcooling of 2,0 °C and the absence of any vapour bubbles in the liquid leaving the meter are considered adequate. It is recommended that the meter be installed at the bottom of a vertical downward loop in the liquid line to take advantage of the static head of the liquid thus provided.

E.2.3 At the end of the test, a sample of the circulating refrigerant and oil mixture may be taken from the equipment and its concentration of oil, X_o , calculated using [Formula \(E.1\)](#).

$$X_o = \frac{W_5 - W_1}{W_3 - W_1} \quad (\text{E.1})$$

The total indicated flow-rate should be corrected for the amount of oil circulating.

E.3 Refrigerant temperature and pressure measurements

The temperature of refrigerant entering and leaving the indoor-side of the equipment should be measured with instruments having an accuracy of $\pm 0,1$ K. The pressure of refrigerant entering and leaving the indoor-side of the equipment should be measured with instruments having an accuracy of $\pm 2,0$ % of the indicated value.

E.4 Calculation of cooling capacity

Total cooling capacity, ϕ_{tcl} , based on volatile refrigerant flow data is calculated using [Formula \(E.2\)](#):

$$\phi_{\text{tcl}} = x_r q_{\text{ro}} (h_{r2} - h_{r1}) - P_i \quad (\text{E.2})$$

E.5 Calculation of heating capacity

Total heating capacity, ϕ_{thl} , based on volatile refrigerant flow data is calculated using [Formula \(E.3\)](#):

$$\phi_{\text{thl}} = x_r q_{\text{ro}} (h_{r1} - h_{r2}) + P_i \quad (\text{E.3})$$

Only For Research & Training Purpose
Not For Sale, PSQCA (C)

Annex F (informative)

Outdoor air enthalpy test method

F.1 General

F.1.1 In the air enthalpy test method, capacities are determined from measurements of entering and leaving wet-bulb and dry-bulb temperatures and the associated airflow rate.

F.1.2 Outdoor air enthalpy tests are subject to the apparatus arrangement limitations specified in [E.2.1](#). Additional provisions apply if the compressor is independently ventilated (see [E.2.2](#)). Line loss adjustment permitted by [F.4.3](#) may be made if the equipment employs remote outdoor coils.

F.2 Test room requirements

F.2.1 When the air enthalpy method is employed for outdoor-side tests, it should be ascertained whether the attachment of the airflow measuring device changes the performance of the equipment being tested and, if so, corrections should be made for this change (see [Figure E.1](#)). To accomplish this, the equipment should have thermocouples soldered to return bends at approximately the midpoints of each indoor coil and outdoor coil circuit. Equipment not sensitive to refrigerant charge may, alternatively, be provided with pressure gauges connected to access valves or tapped into the suction and discharge lines. The equipment should then be operated at the desired conditions, with the indoor-side test apparatus connected, but not the outdoor-side apparatus. Data should be recorded at 10-min intervals for a period of not less than one-half hour after equilibrium has been attained. The outdoor-side test apparatus should then be connected to the equipment and the pressure or temperatures indicated by the aforementioned gauges or thermocouples noted. If, after equilibrium is again attained, these do not average within $\pm 0,3$ K or its pressure equivalent of the averages observed during the preliminary test, the outdoor airflow rate should be adjusted until the specified agreement is attained. The test should be continued for a period of one-half hour after attainment of equilibrium at the proper conditions with the outdoor test apparatus connected; the indoor-side test results during this interval should agree within $\pm 2,0$ % with the results obtained during the preliminary test period. This applies for both the cooling and the heating cycle, but needs to be done at any one condition for each.

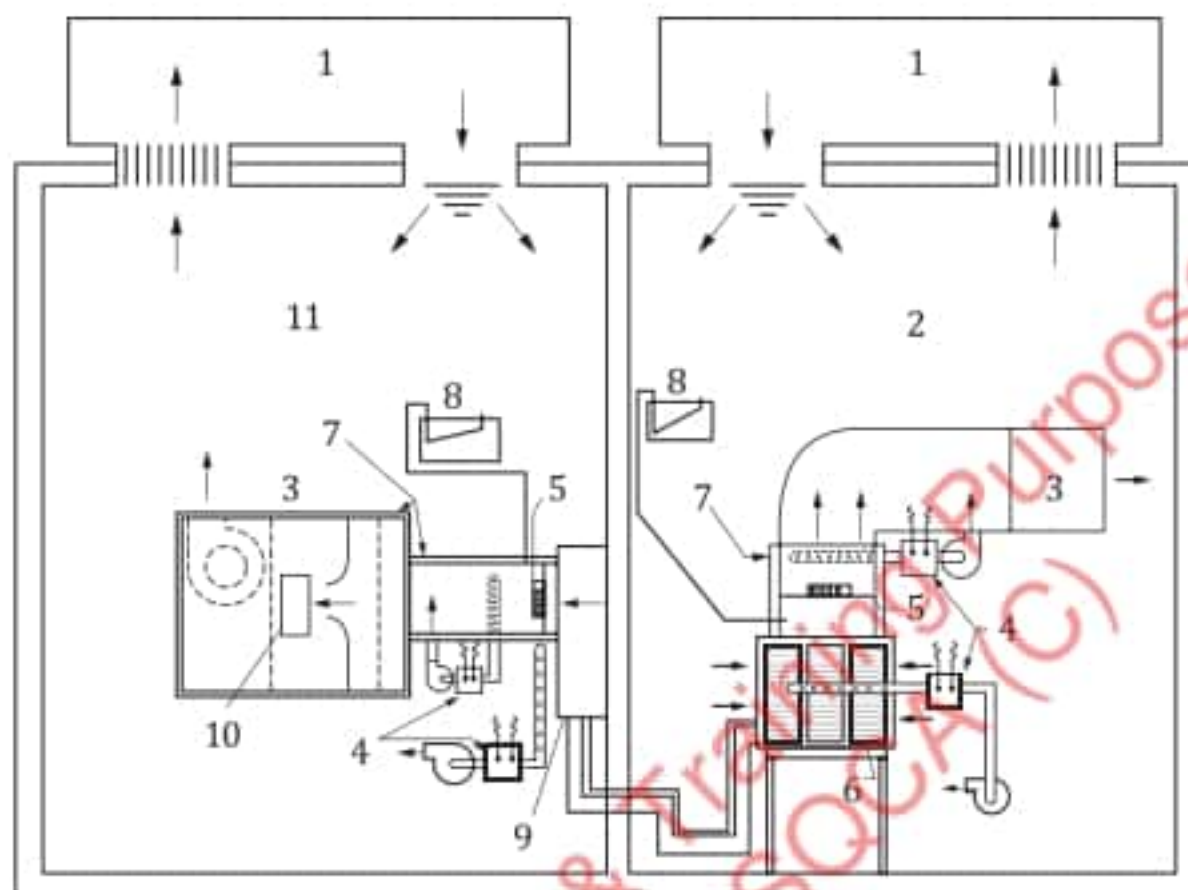
F.2.2 For equipment in which the compressor is ventilated independently of the outdoor air stream, the calorimeter air enthalpy method arrangement should be employed to take into account compressor heat radiation (see [Figure D.4](#)).

F.2.3 When the outdoor airflow is adjusted as described in [F.2.1](#), the adjusted air-flow rate is employed in the capacity calculation. In such cases, however, the outdoor fan power input observed during the preliminary tests should be used for rating purposes.

When testing multi-split air conditioners and heat pumps, temperature of air entering all indoor units or an outdoor unit shall be within 0,5 K of the average.

F.3 Testing conditions

When the outdoor air enthalpy method is used, the requirements in [5.1.4.1.2](#) and [5.1.4.1.3](#) apply to both the preliminary test (see [E.2.1](#)) and the regular equipment test.



Key

- | | | | |
|---|----------------------------------------------------|----|--------------------------------------------------|
| 1 | room conditioning apparatus | 7 | insulation |
| 2 | outdoor-side test room | 8 | apparatus for differential pressure measurement |
| 3 | airflow measuring apparatus | 9 | indoor-side coil section of equipment under test |
| 4 | air temperature and humidity measuring instruments | 10 | door/window |
| 5 | mixer | 11 | indoor-side test room |
| 6 | outdoor unit of equipment under test | | |

Figure F.1 — Outdoor air enthalpy test method arrangement

F.4 Calculations

F.4.1 Total indoor cooling capacity based on outdoor-side data, ϕ_{tco} , is calculated using Formula (F.1):

$$\phi_{tco} = \frac{q_{vo} (c_{pa4} t_{a4} - c_{pa3} t_{a3})}{v'_n (1 + W_n)} - P_t \quad (F.1)$$

F.4.2 Total heat capacity based on outdoor-side data, ϕ_{tho} , is calculated using Formula (F.2):

$$\phi_{tho} = \frac{q_{vo} (h_{a3} - h_{a4})}{v'_n (1 + W_n)} + P_t \quad (F.2)$$

F.4.3 If line loss corrections are to be made, they should be included in the capacity calculations. Allowance should be made using Formula (F.3):

$$\phi_L = \left(\frac{1}{R_1 + R_2} \right) L (\Delta t) \quad (\text{F.3})$$

where

$$R_1 = \frac{\ln \left(\frac{0,5D_T + T}{0,5D_T} \right)}{2\pi\lambda} = \frac{1}{2\pi\lambda} \ln \left(1 + \frac{2T}{D_T} \right) \quad (\text{F.4})$$

$$R_2 = \frac{1}{\pi (B_T + 2T) \alpha_o} \quad (\text{F.5})$$

where

- Δt is the temperature difference between the inside and the outside of the tube;
- T is the thickness of the tubing insulation, in m;
- L is the length of refrigerant tubing, in m;
- λ is the thermal conductivity of the interconnecting tubing, in W/(m·K);
- α_o is the heat transfer coefficient of the interconnecting tubing, in W/(m²·K);
- R_1, R_2 is thermal resistance per unit length (K·m/W).

Only For Research & Training Purpose
Not For Sale, PSCA (C)

Annex G (informative)

Indoor calorimeter confirmative test method

G.1 General

G.1.1 This annex provides a method for confirming the test results when the cooling and heating capacities are determined by the indoor air enthalpy test method.

G.1.2 In this test method, confirmation should be carried out in the test room specified in [G.2](#), using the measuring method specified in [G.3](#).

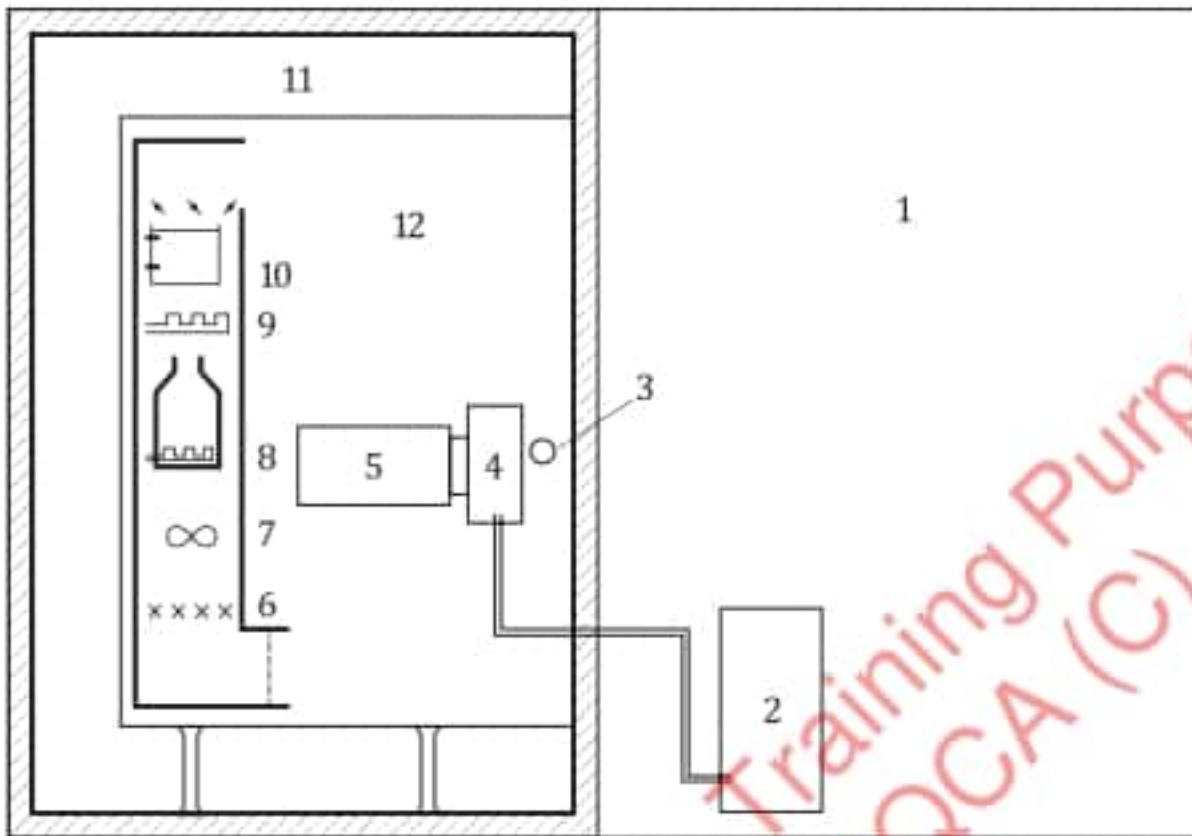
G.2 Test room requirements

A recommended test room is shown in Figure [G.1](#). This test room should be constructed such that the air enthalpy test apparatus is installed in the indoor-side test chamber of the calorimeter described in [Annex C](#). The calorimeter should be of either the calibrated room-type or the balanced ambient room-type. The air enthalpy test apparatus should be equipped with means of not only measuring airflow rate and enthalpies at the inlet and outlet of the equipment under test but also means for measuring the total power input to the air enthalpy test apparatus. It is recommended that air leaving the air enthalpy test apparatus lead to the vicinity of the intake opening of the reconditioning apparatus of the calorimeter.

G.3 Measurement

G.3.1 Measurements should be carried out 1 h after the attainment of equilibrium conditions.

G.3.2 Simultaneous measurements made by the calorimeter and the air enthalpy test apparatus should be made in accordance with the methods specified. Cooling capacity determined by measurements using the calorimeter should be calculated in accordance with [Formula \(C.1\)](#) and heating capacity should be calculated in accordance with [Formula \(C.7\)](#). Likewise, cooling capacity determined by measurements with the air enthalpy test apparatus is calculated in accordance with [Formula \(D.1\)](#) and heating capacity in accordance with [Formula \(D.5\)](#).



Key

- | | | | |
|---|-------------------------------------|----|----------------------------------|
| 1 | outdoor-side test chamber | 7 | fan |
| 2 | equipment under test (outdoor unit) | 8 | humidifier |
| 3 | air-sampling tube | 9 | heating coil |
| 4 | equipment under test (indoor unit) | 10 | cooling coil |
| 5 | airflow measuring apparatus | 11 | controlled-temperature air space |
| 6 | mixer | 12 | indoor-side test chamber |

Figure G.1 — Indoor calorimeter confirmative test method arrangement

Annex H (informative)

Outdoor calorimeter confirmative test method

H.1 General

H.1.1 This annex provides a method for confirming the test results when the **cooling** and heating capacities are determined by the indoor air enthalpy test method.

H.1.2 In this test method, confirmation should be carried out in the test room specified in [H.2](#), using the measuring method specified in [H.3](#).

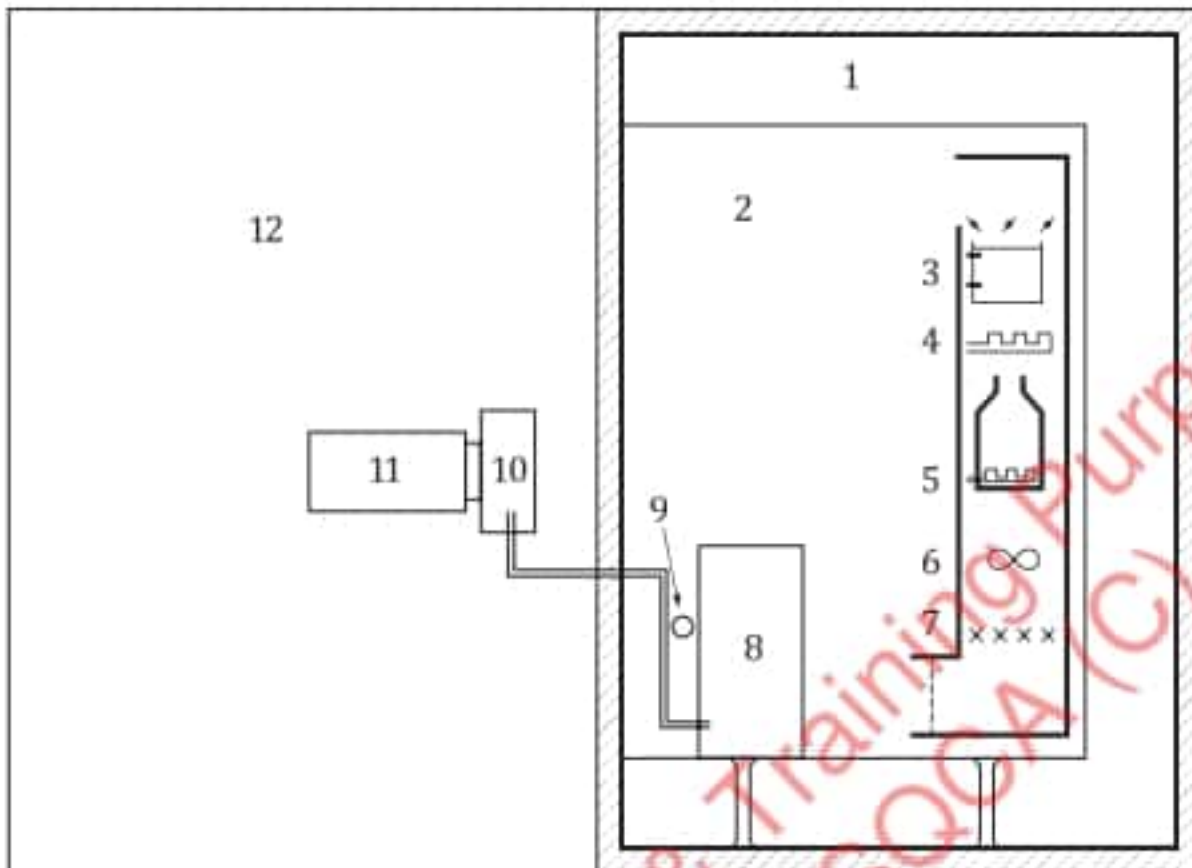
H.2 Test room requirements

The air enthalpy test apparatus in the indoor-side test chamber should be **constructed** in accordance with this document. The outdoor-side apparatus is the calorimeter, which should be constructed and equipped with the measuring means described in [Annex C](#). A recommended test room is shown in [Figure H.1](#).

H.3 Measurement

H.3.1 Measurements should be carried **out 1 h** after attainment of equilibrium conditions.

H.3.2 Simultaneous measurements should be **made using** the air enthalpy apparatus on the indoor-side and the calorimeter on **the outdoor-side in accordance** with the methods specified. Cooling capacity determined by measurements **using the calorimeter** should be calculated in accordance with [Formula \(C.3\)](#) and heating capacity should **be calculated** in accordance with [Formula \(C.8\)](#).



Key

- | | | | |
|---|----------------------------------|----|-------------------------------------|
| 1 | controlled-temperature air space | 7 | mixer |
| 2 | outdoor-side test chamber | 8 | equipment under test (outdoor unit) |
| 3 | cooling coil | 9 | air-sampling tube |
| 4 | heating coil | 10 | equipment under test (indoor unit) |
| 5 | humidifier | 11 | airflow measuring apparatus |
| 6 | fan | 12 | indoor-side test chamber |

Figure H.1 — Outdoor calorimeter confirmative test method arrangement

Annex I (informative)

Balanced-type calorimeter confirmative test method

1.1 General

1.1.1 This annex provides a method for manufacturers to confirm the test results when the cooling and heating capacities are determined by the indoor air enthalpy test method.

This test method should not be used as a method of confirmation by testing laboratories, because it does not provide for simultaneous confirmative test results.

1.1.2 This method should be carried out by installing the equipment, which has been measured by the balanced-type calorimeter, in the indoor air enthalpy test apparatus for measurement under the same conditions as in the balanced-type calorimeter.

1.1.3 The performance of the indoor air enthalpy apparatus should be verified at least every 12 months using an industry standard cooling/heating calibrating device. A calibrating device may also be another piece of equipment for which the performance has been measured at an accredited national test laboratory as part of an industry-wide cooling/heating capacity verification programme.

1.2 Measurement

1.2.1 When this test method is employed, it is desirable to confirm that there is no difference between the capacities measured by the calorimeter and the indoor air enthalpy test apparatus. To accomplish this, the equipment should have thermocouples soldered to the return bends at approximately the midpoints of each of the indoor coil and outdoor coil circuits. Equipment not sensitive to refrigerant charge may, alternatively, be provided with the pressure gauges connected to access valves or tapped into the suction and discharge lines.

1.2.2 Firstly, the equipment to be tested should be installed in the balanced-type calorimeter described in Annex C to carry out the measurement of capacity. Then, the equipment should be moved to the indoor air enthalpy test apparatus and be measured by the specified method. It is desirable to measure both cooling and heating capacities, though either may be measured. However, if the cooling capacity is measured by the calorimeter, the same measurement should also be made in the indoor air enthalpy test apparatus.

1.2.3 If no alteration is made to the installation of the equipment under test, a series of tests conducted one immediately after the other should be deemed valid.

Annex J (informative)

Cooling condensate measurements

J.1 General

The latent cooling capacity should be determined from measurements of the condensate flow rate. The drain connection should be trapped to stabilize the condensate flow.

J.2 Calculations

J.2.1 The latent cooling capacity, ϕ_d , is calculated using [Formula \(J.1\)](#):

$$\phi_d = K_1 \cdot q_{wc} \quad (J.1)$$

J.2.2 The sensible cooling capacity, ϕ_{scl} , is then calculated using [Formula \(J.2\)](#):

$$\phi_{scl} = \phi_{tcl} - \phi_d \quad (J.2)$$

Annex K (informative)

Pictorial examples of the heating capacity test procedures given in [6.1](#)

K.1 General

The six schematic diagrams given in the examples shown in [Figures K.2 to K.7](#) show **several** cases which could occur while conducting a heating capacity test as specified in [6.1](#). All **examples** show cases where a defrost cycle ends the preconditioning period. [Figures K.2 to K.7](#) represent **cases** where the indoor air enthalpy method is used and, as a result, the data collection period for **the** transient test lasts 3 h or three complete cycles (as opposed to 6 h or six complete cycles if using **the calorimeter test** method).

K.2 Procedure flow chart for heating capacity test

The following flow chart gives the procedures to be adopted **and the clauses in** the main text to be used when conducting the heating capacity test.

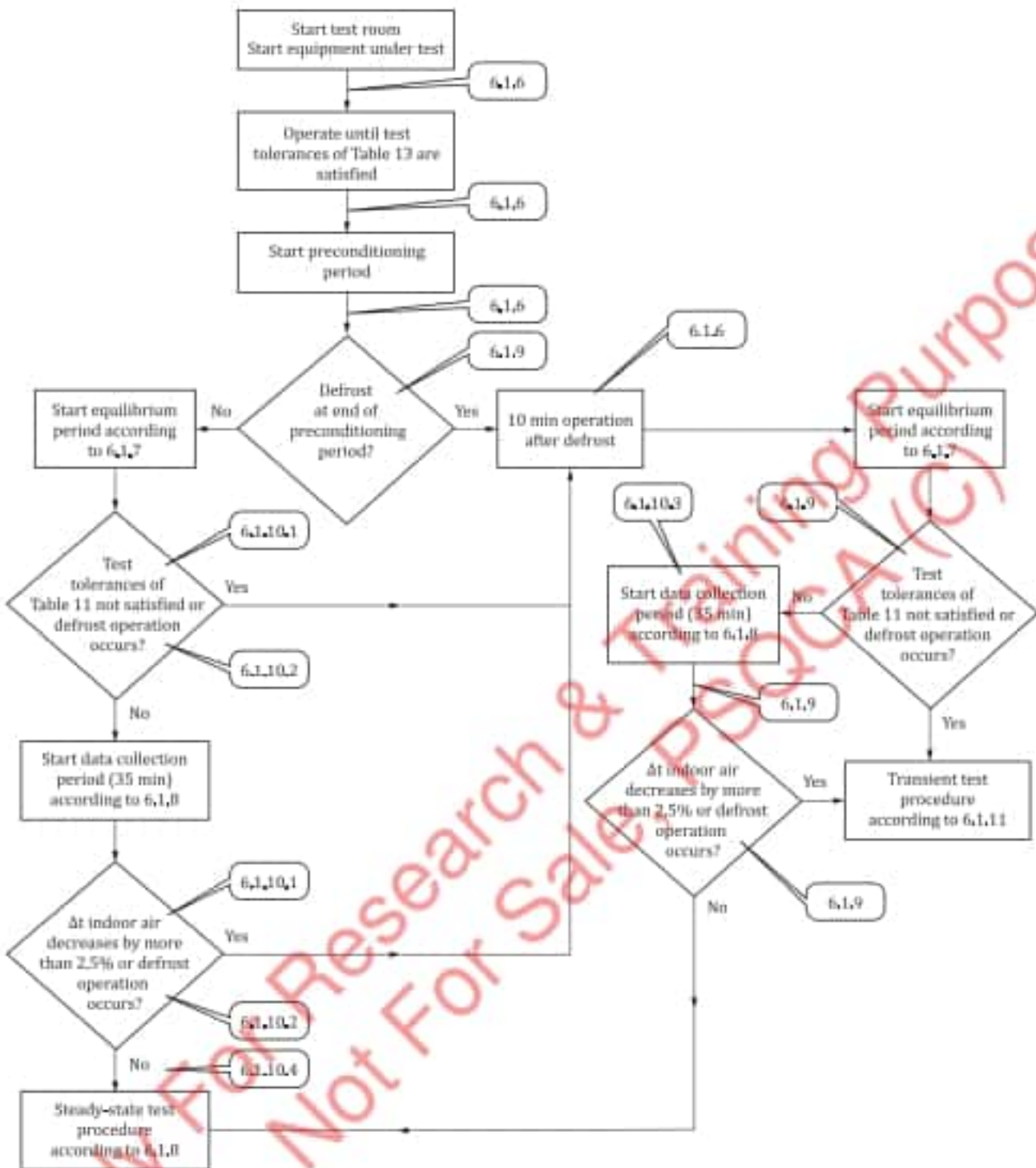
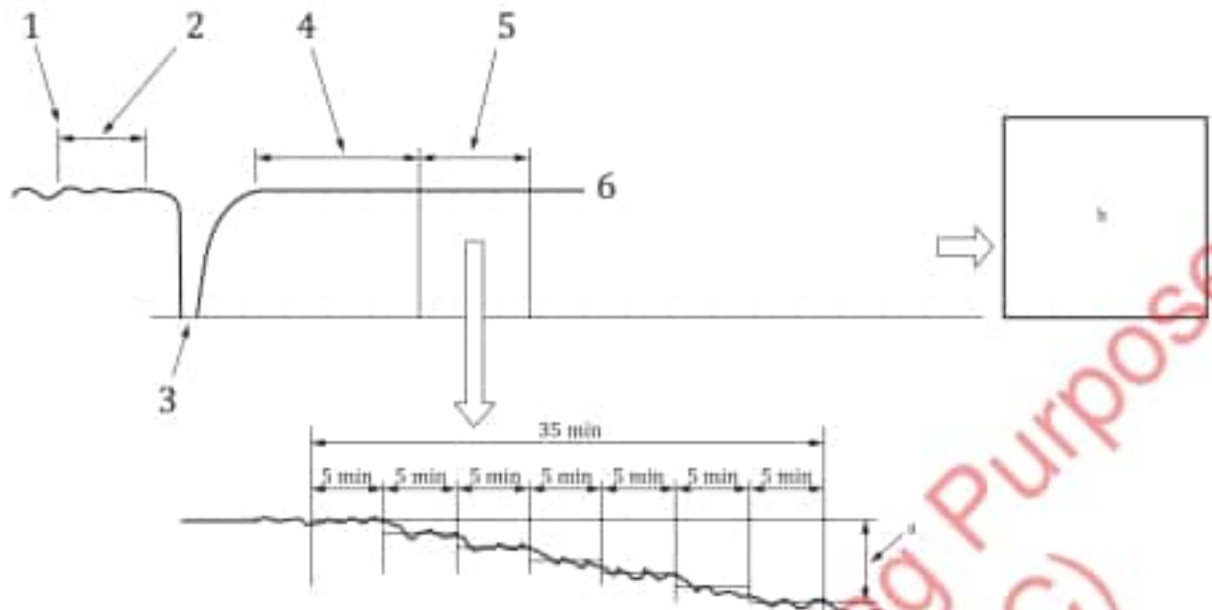
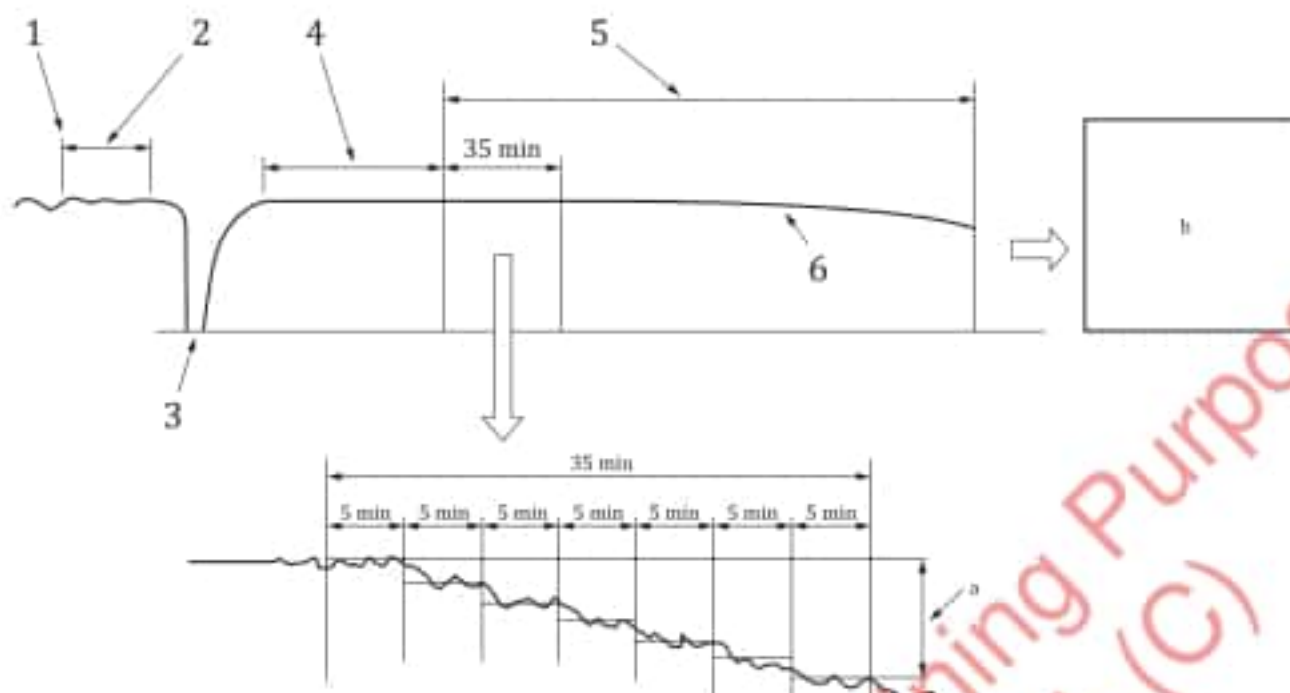


Figure K.1 — Procedure flow chart

**Key**

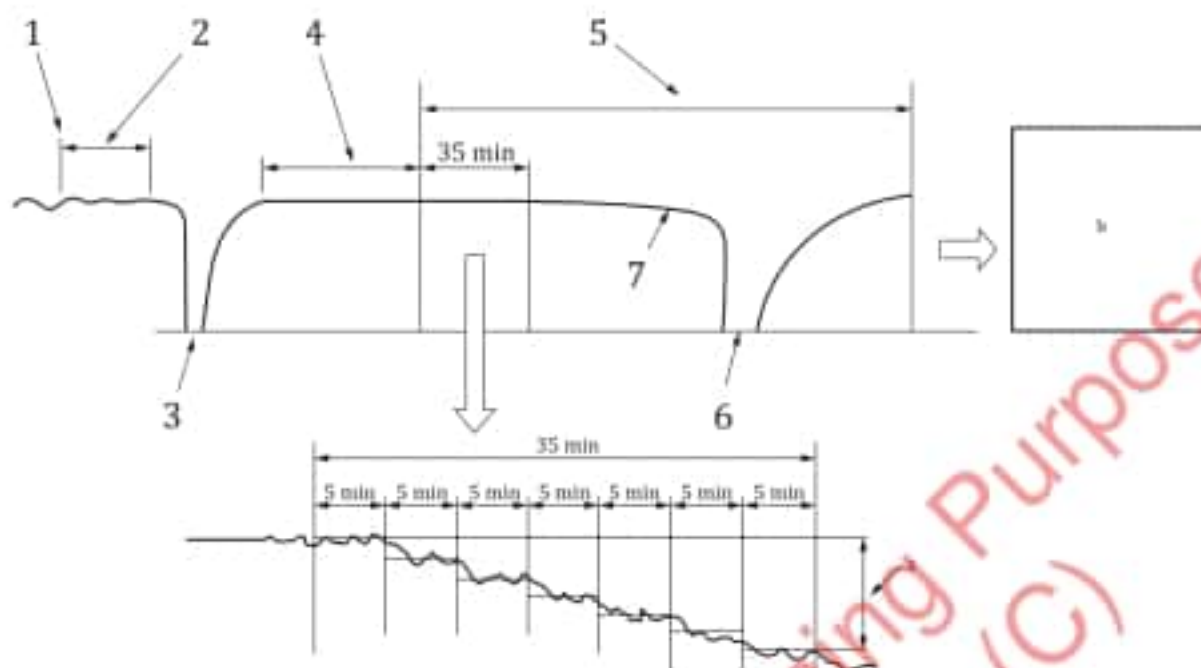
- 1 compliance with test tolerances first achieved
- 2 preconditioning period (10 min minimum)
- 3 defrost at end of preconditioning period
- 4 equilibrium period (60 min)
- 5 data collection period (35 min)
- 6 difference in indoor air temperature, $\Delta t_{\text{indoor air}}$
- a $\Delta t_{\text{indoor air}}$ decreases by 2,5 % or less during the first 35 min of the data collection period.
- b Steady-state test. Terminate test when data collection period equals 35 min.

Figure K.2 — Steady-state heating capacity test

**Key**

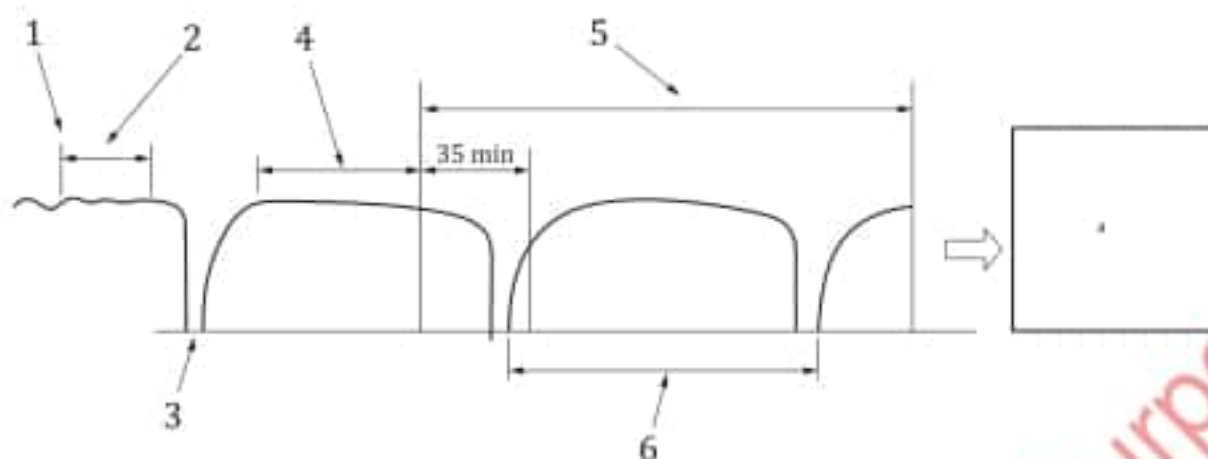
- 1 compliance with test tolerances first achieved
- 2 preconditioning period (10 min minimum)
- 3 defrost at end of preconditioning period
- 4 equilibrium period (60 min)
- 5 data collection period (3 h)
- 6 difference in indoor air temperature, $\Delta t_{\text{indoor air}}$
- a $\Delta t_{\text{indoor air}}$ decreases by more than 2,5 % during the first 35 min of the data collection period.
- b Transient test. Terminate test when data collection period equals 3 h.

Figure K.3 — Transient heating capacity test with no defrost cycles

**Key**

- 1 compliance with test tolerances first achieved
- 2 preconditioning period (10 min minimum)
- 3 defrost at end of preconditioning period
- 4 equilibrium period (60 min)
- 5 data collection period (3 h)
- 6 difference in indoor air temperature, $\Delta t_{\text{indoor air}}$
- a $\Delta t_{\text{indoor air}}$ decreases by more than 2.5% during the first 35 min of the data collection period.
- b Transient test. Terminate test when data collection period equals 3 h.

Figure K.4 — Transient heating capacity test with one defrost cycle during the data collection period

**Key**

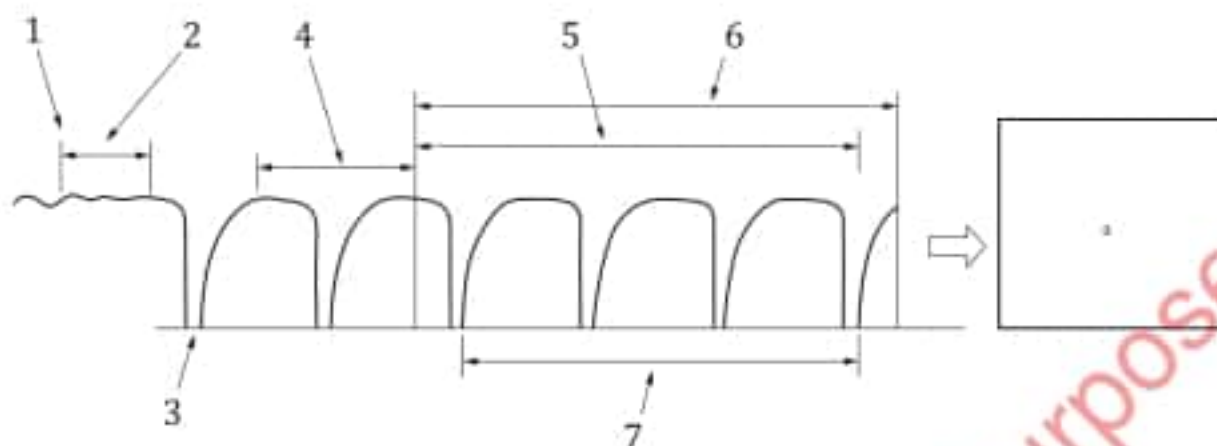
- 1 compliance with test tolerances first achieved
- 2 preconditioning period (10 min minimum)
- 3 defrost at end of preconditioning period
- 4 equilibrium period (60 min)
- 5 data collection period (3 h)
- 6 one complete defrost cycle
- * Transient test. Terminate test when data collection period equals 3 h.

Figure K.5 — Transient heating capacity test with one complete cycle during the data collection period.

**Key**

- 1 compliance with test tolerances first achieved
- 2 preconditioning period (10 min minimum)
- 3 defrost at end of preconditioning period
- 4 equilibrium period (60 min)
- 5 data collection period (3 h)
- 6 two complete defrost cycle
- * Transient test. Terminate test when data collection period equals 3 h.

Figure K.6 — Transient heating capacity test with two complete cycles during the data collection period.

**Key**

- 1 compliance with test tolerances first achieved
- 2 preconditioning period (10 min minimum)
- 3 defrost at end of preconditioning period
- 4 equilibrium period (60 min)
- 5 data collection period
- 6 three hours
- 7 three complete defrost cycles
- 8 Transient test. Terminate test at the end of three complete cycles within the data collection period.

Figure K.7 — Transient heating capacity test with three complete cycles during the data collection period

Only For Research & Training Purpose
Not For Sale, PSQCA (C)